

INSTALLATION MANUAL

Series MG-1500 Sliding Glass Door

v. 2



INDEX

INTRODUCTION INSPECTION OF	3	OXO AND OXO REVERSE PACKAGE	23
INSPECTION OF THE OPENING	4	OXO AND OXO REVERSE	
WOOD BUCK INSTALLATION	5	TRACK INSTRUCTIONS	25
UNPACKING THE DOOR	6	OXO AND OXO REVERSE	
FRAME ASSEMBLY	7	PANELS INSTRUCTIONS	26
SILL INSTALLATION	8	OXO COVERS INSTRUCTIONS	27
PANELS INSTALLATION	9	XOX AND XOX REVERSE PACKAGE	28
COVERS INSTALLATION	10	XOX AND XOX REVERSE	
HANDLE AND LOCK INSTALLATION	11	TRACK INSTRUCTIONS	30
SILL RAISER	12	XOX PANELS INSTRUCTIONS	31
XO AND OX PACKAGE	13	XOX COVERS INSTRUCTIONS	32
XO AND OX TRACK INSTRUCTIONS	15	OXXO PACKAGE	33
XO AND OX PANEL		OXXO TRACK INSTRUCTIONS	35
INSTRUCTIONS	16	OXXO PANELS INSTRUCTIONS	36
XO AND OX COVERS INSTRUCTIONS	17	OXXO COVERS INSTRUCTIONS	37
XX AND XX REVERSE PACKAGE	18	FIX PANELS ATTACHMENT	38
XX AND REVERSE TRACKS		CONFIGURATION TYPES	39
INSTRUCTIONS	20	PANEL TYPES	40
XX AND XX REVERSE PANEL		BUMPERS POSITION PER CONFIGURATION	41
INSTRUCTIONS	21	BUMPER INSTALLATION	42
XX AND XX REVERSE COVERS		OXO CONFIGURATION, BUMPERS AND	
INSTRUCTIONS	22	FIXING ANGLE POSITION	43
		PANEL ADJUSTMENTS	44
		ANCHORS	45
		DOOR CLEANING	46

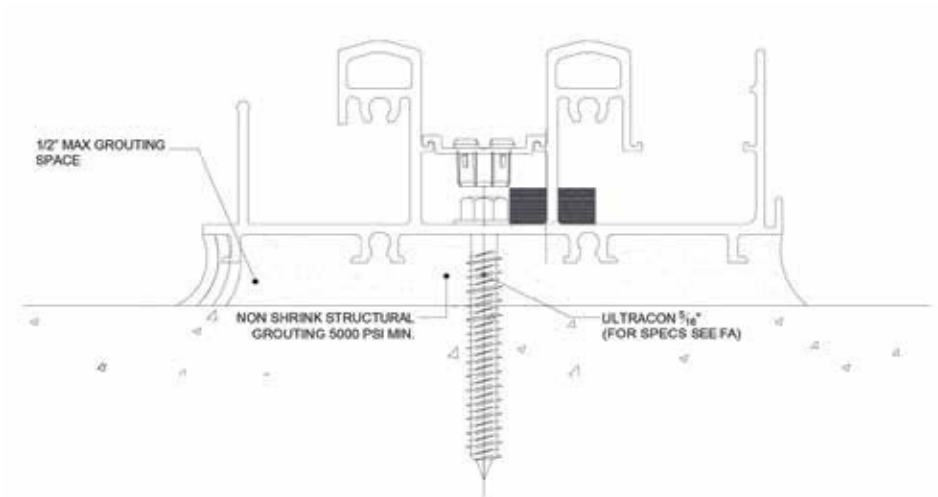


INTRODUCTION

These instructions are provided as a general guide for installation. The Florida Approval of the product (FL38057 LMI/SMI) should be used together with these instructions.

Only professionals and experienced installers should attempt to install these doors. Read all instructions carefully. If in doubt contact Mr. Glass Doors and Windows. We will be happy to assist.

Use the required protection gear and take all necessary safety precautions depending on the type of installation. Specially those concerning working at heights.



INSPECTION OF THE OPENING

This is the first step and must be executed regardless of the type of installation:

A. Verify that the opening has the correct dimensions. That it is square, plumb and true. No more than 1/4" difference in square (diagonals) will be acceptable. The dimensions of height and width should be within 1/8" of the nominal opening dimension.

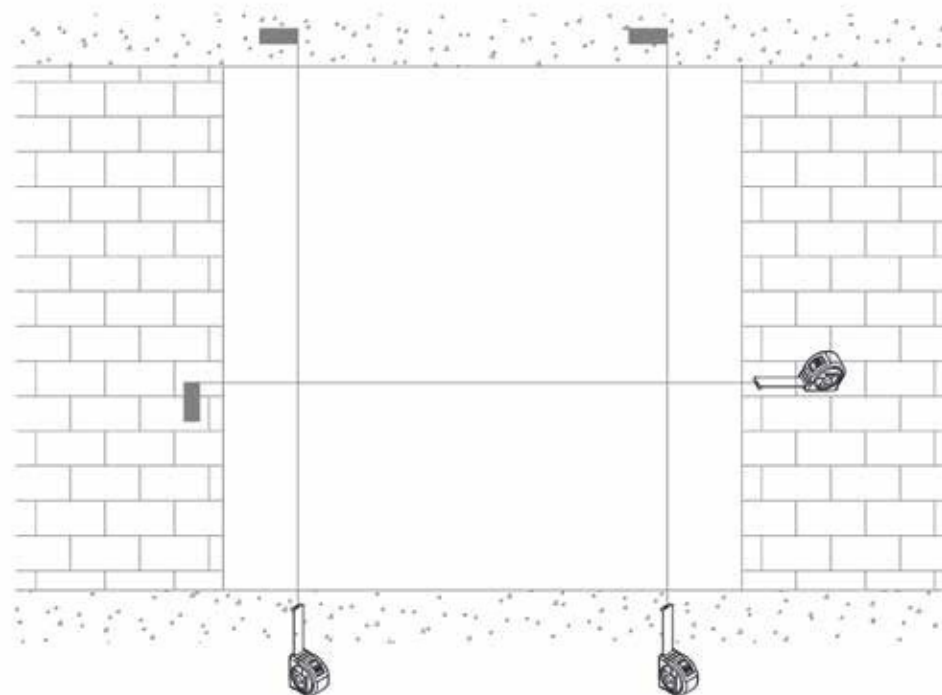
B. In case of masonry openings check for cracks or missing mortar mainly in the sill that may eventually allow water and humidity migration. Clean any residue of mortar. Any defect should be addressed and corrected by the trade responsible for the opening.

C. Mr. Glass recommends the sill have a slope to direct the water out of the building. No openings with inverted slope should be accepted. That will compromise the correct drainage and function of the window.

D. Check the shop drawings and verify that the opening preparation follows the specifications.

E. In case the installation is with wood buck, verify that a proper seal has been applied between the wood and the masonry. Also verify that the wood bucks touch each other and that they have been sealed to one another.

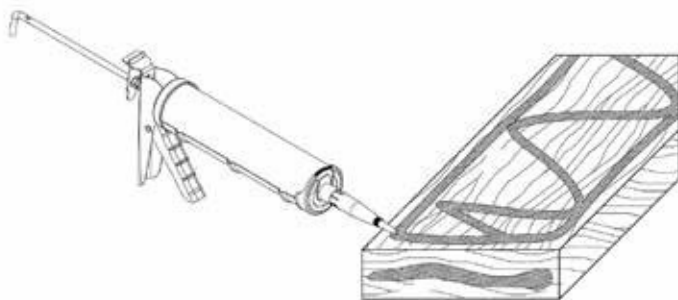
F. The wood buck opening dimensions should be verified. It should be plumb, square and true. In case of detecting any defects do not install until the issue is corrected.



WOOD BUCK INSTALLATION

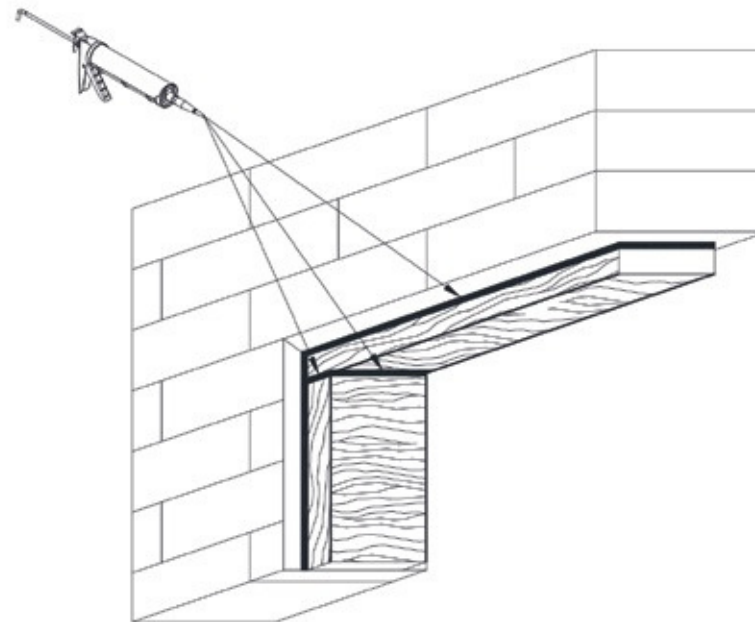
In case the wood buck installation falls in the installers scope:

- A. Use only pressure treated wood buck of appropriate dimensions.
- B. The wood buck should be attached to the masonry independently of the window. Quantity and anchor disposition will be according to the engineer's or shop drawings' specifications.
- C. Prior to installation of the buck apply a 3/8" bead of silicone on the face of the wood buck around the entire perimeter (see figure) This seal will be smashed to the masonry opening when the wood buck is applied to it.



D. Once the bucks are attached to the masonry apply a bead of silicone to the exterior perimeter between the wood, the masonry, and into the joinery between the end of the bucks. Tool the sealant ensuring its continuity.

E. The wood buck opening dimensions should be verified. It should be plumb, square and true. In case of detecting any defects do not install until the issue is corrected.



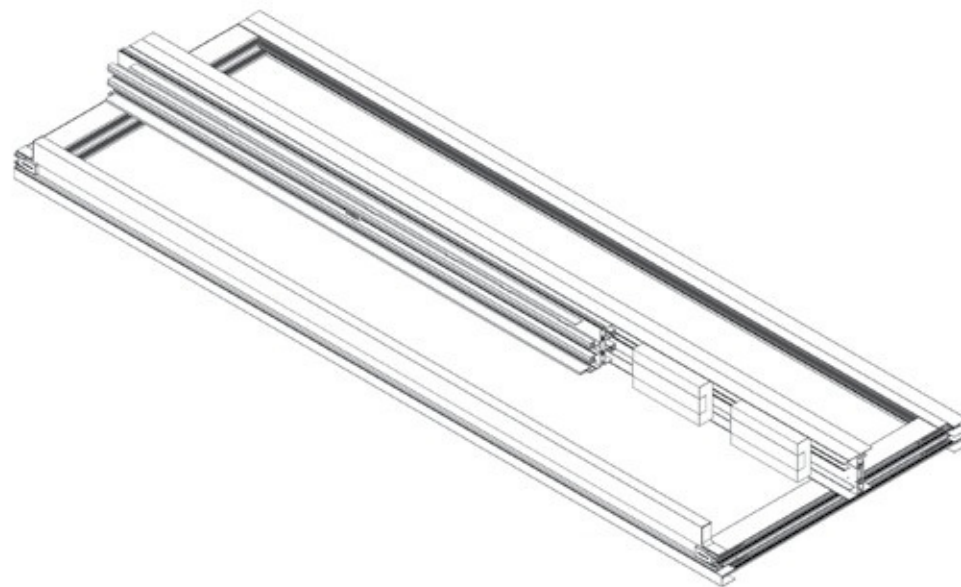
UNPACKING THE DOOR

A. In case of a retrofit: Before removing any existing door verify that the new door corresponds to the specifications of the project in type, dimensions, and that they match the opening size.

B. Carefully remove the straps and cardboard. Do not use sharp or puncturing objects that might damage the aluminum finish or the glass. The frame is delivered in KD form. Consult the page that corresponds with your configuration and verify that you are receiving everything as described.

C. Separate and store the covers. Not to be installed until the anchor inspection has been completed successfully.

D. The panels are labeled for easy of identification. Consult pages 39 & 40 to check the type of panels required for your configuration.



FRAME ASSEMBLY

A. The frame assembly is a critical part of the installation process. Approximately 90% of leaks in a sliding doors occur due to an improper frame assembly.

B. The frame is composed of sill, head and two jambs. The sill should already have installed the Seal Bridge (part 7) as well as the foam baffles in the drainages of the back track.

C. MG1500 Sliding Door does not require anchors at jambs. At sill and head the door is delivered with a typical cluster of anchors. Depending on the DP (design pressures) of the project more anchors might be required. Please consult the Florida Approval and add anchors if needed.

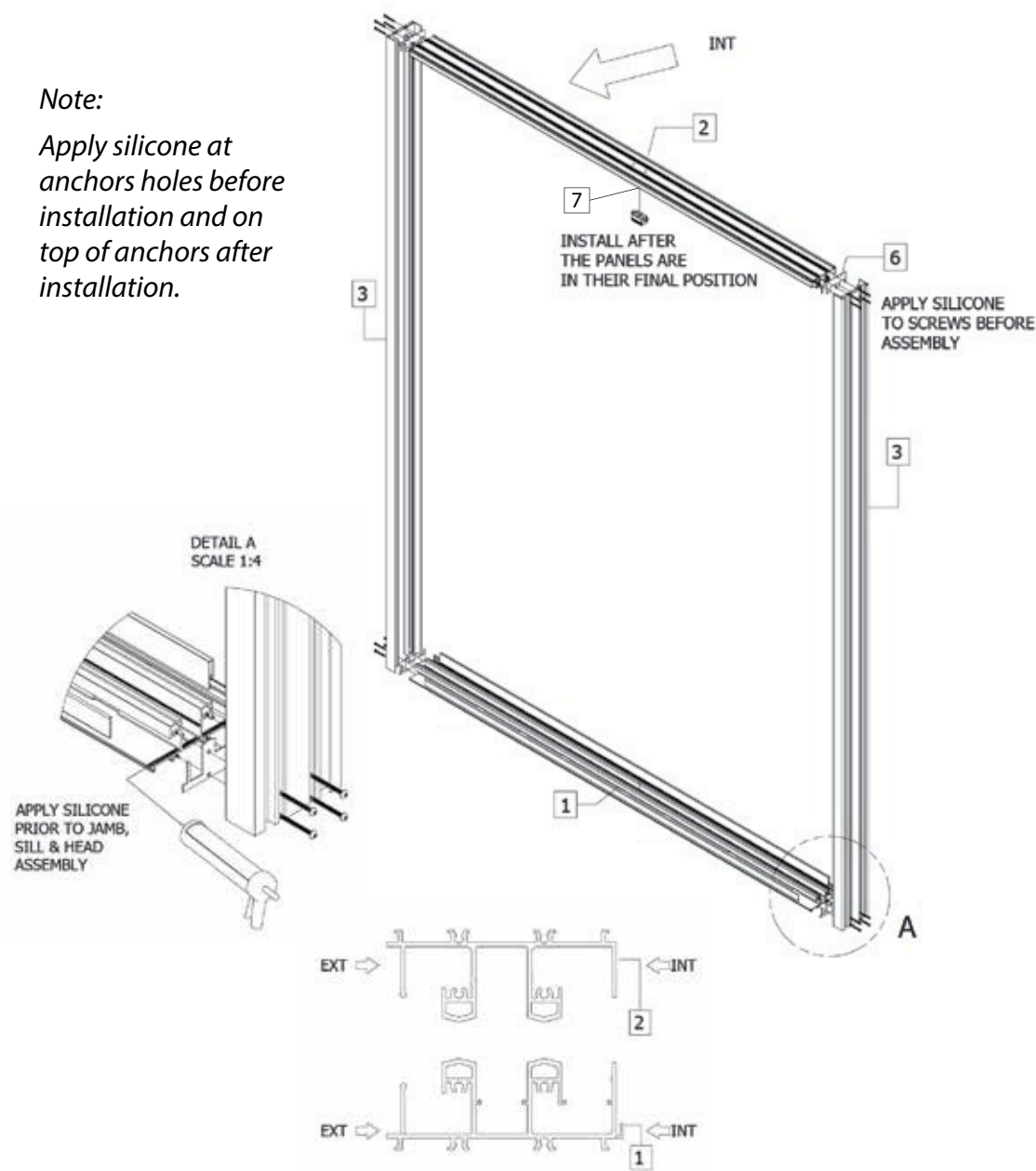
D. Before starting make sure to check page 38 that shows the configurations. The jambs have a unique position depending on these configurations.

E. To ensure the water tightness of the frame the KD includes special epdm (part 6) gaskets with the shape of the head/sill. They must be carefully placed on the sill and head before screw attaching the jambs (see below). See next page for details of assembly and sealant application.

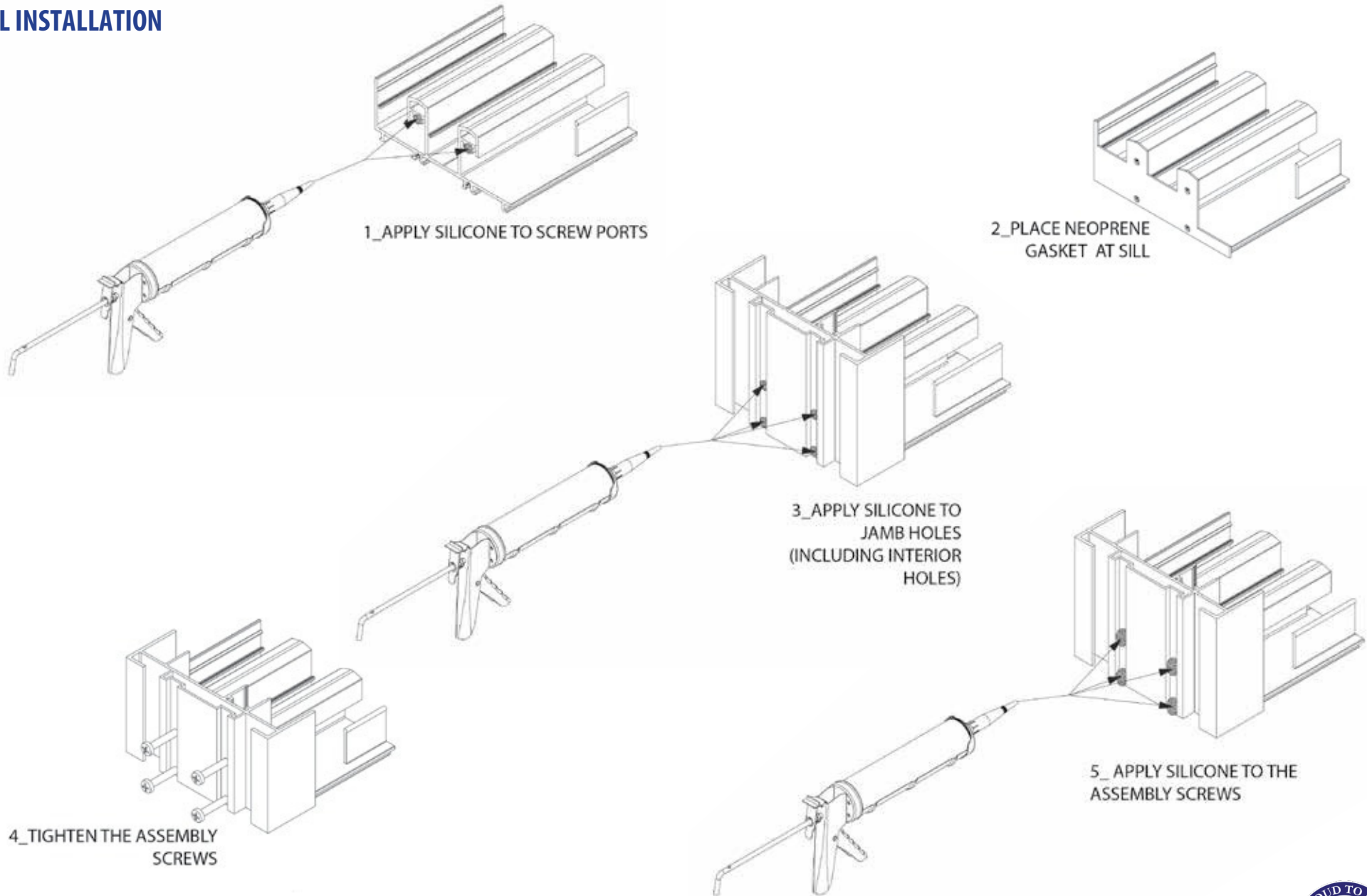
F. To seal the frame perimeter use open cell backer rod and apply a continuous bead of silicone. Tool the silicone and clean any residue.

G. A drainage cover (extrusion 1520 with valve, see page 12) will be installed on the sill after the anchor's inspection. To set the cover in place apply silicone along the sill grooves that receive it.

Note:
Apply silicone at anchors holes before installation and on top of anchors after installation.



SILL INSTALLATION

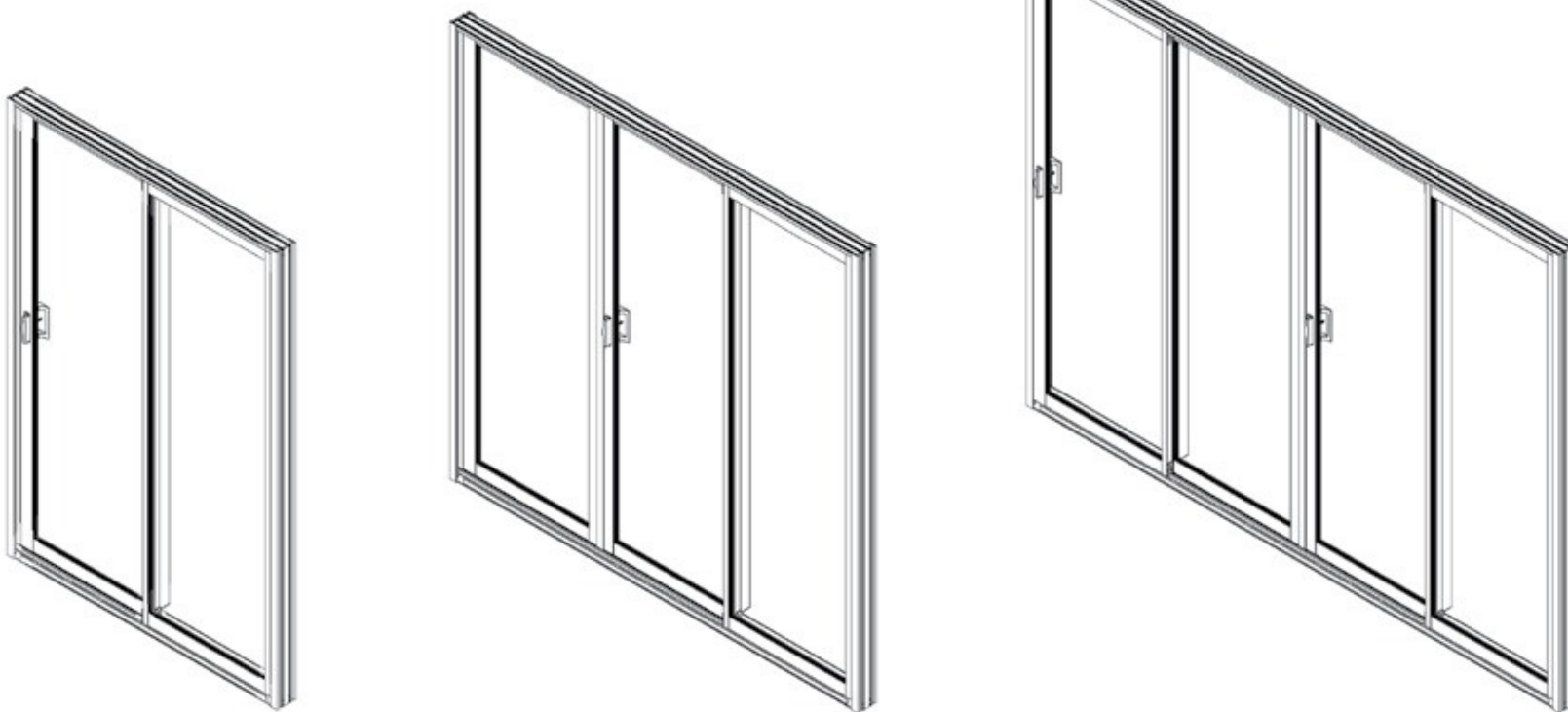


PANELS INSTALLATION

- A. Check page 39 and 40 to verify the type of panels that the door configuration requires. Also verify the position of each panel in the door.
- B. The panels are labeled for easy of identification. All panels, movable and fixes are provided in adjustable rollers to facilitate the level and plumb adjustment.
- C. The fix panels have a bumper/guide in the stile that meets the jamb. To set the panel in its position move it on the track until the bumper hits the jamb preventing the panel to go any further.

D. Note that in configurations with astragal (OXO and OXXO), the extrusion that forms the astragal is attached to the panel with two screws only. To install the panel remove the screws and astragal and re-install it once the panel is in place. Use screws Flat Head Self-drilling #12 x 17" provided with the KD kit.

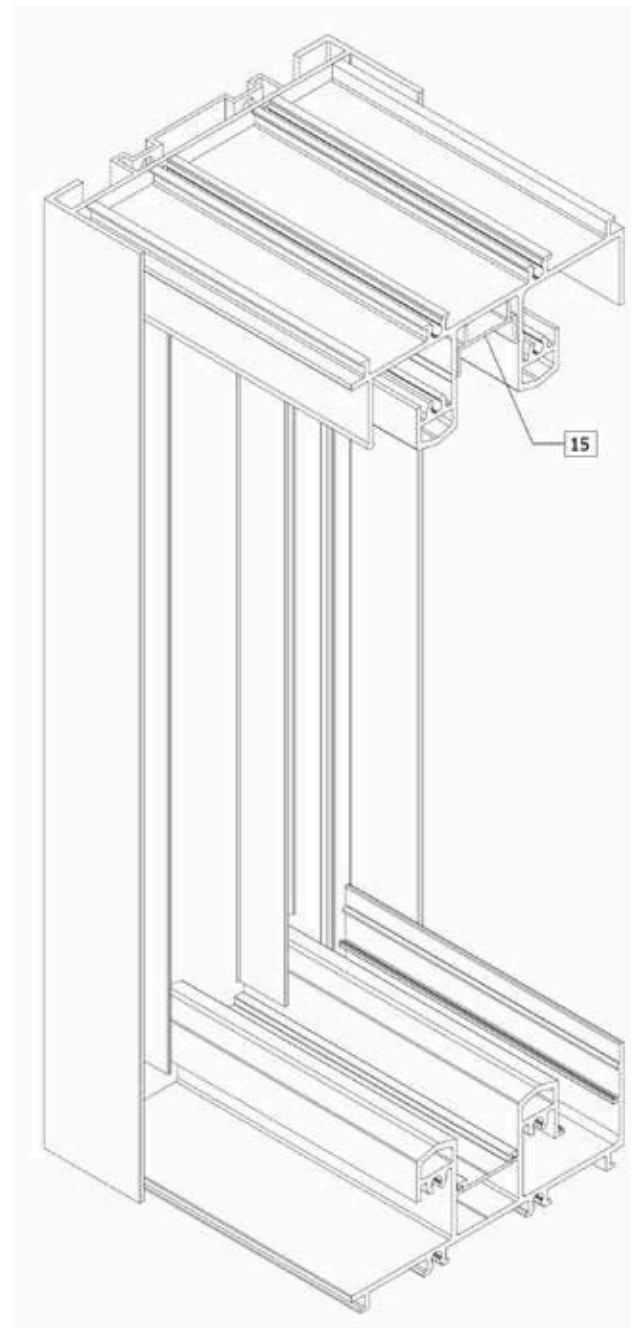
E. Once the panels are leveled and set to the desired height, adjust the guides to the sill and head closing the gap under the door panel.



COVERS INSTALLATION

A. After the panels' installation the header seal bridge can be installed directly on top of the interlock. Use the screws #10-16 x 12" provided with the KD kit (position 16)

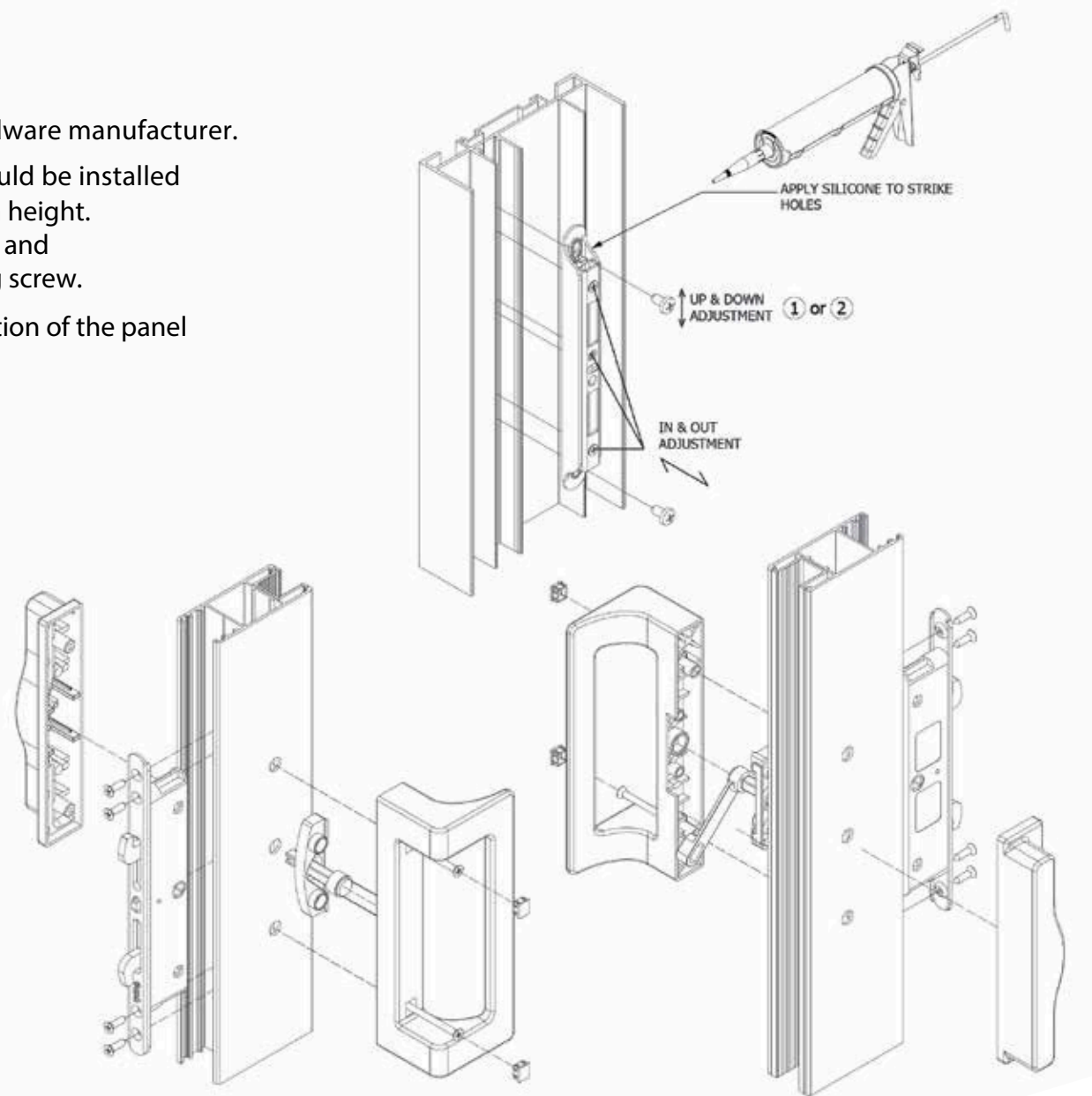
B. The head screw cover (position 15) will be installed between the head tracks. Position it and push it all the way up until it snaps.



HANDLE AND LOCK INSTALLATION

- A. To install the handle follow the instructions of the hardware manufacturer.
- B. The lock is already installed in the panel. The strike should be installed in the jamb. Strike and Lock need to be perfectly aligned in height. After a first adjustment to fix the strike you can adjust it up and down via fixing slots. Once in final position insert the fixing screw.
- C. The strike allows also for certain adjustment in the direction of the panel to accommodate the distance to the jamb.

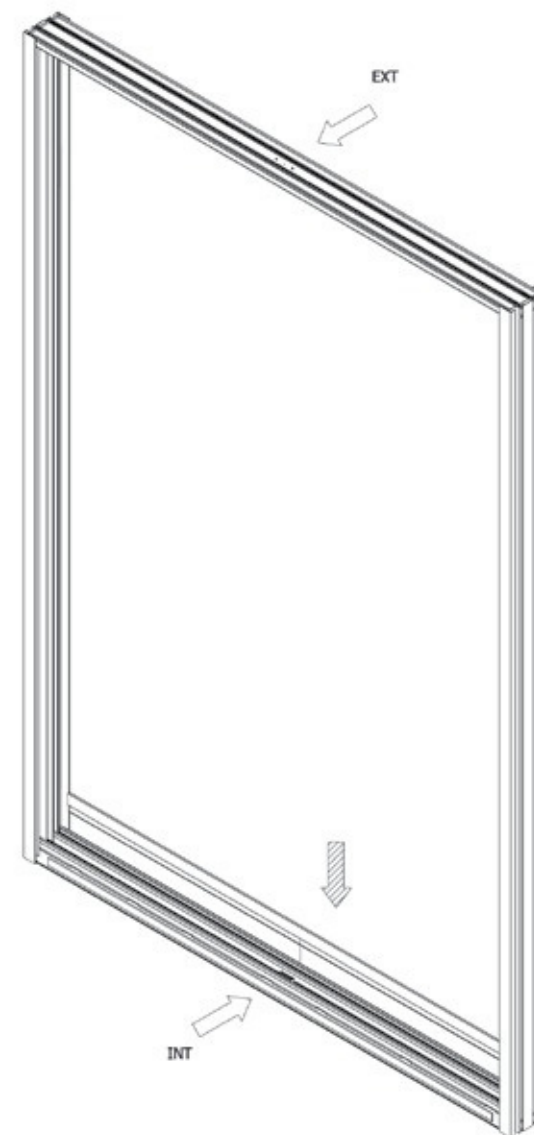
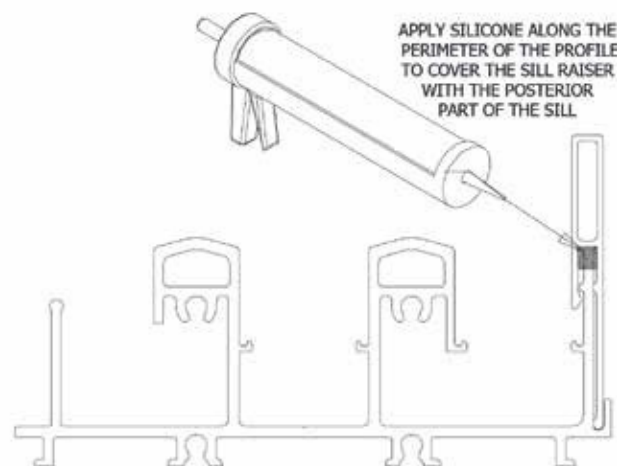
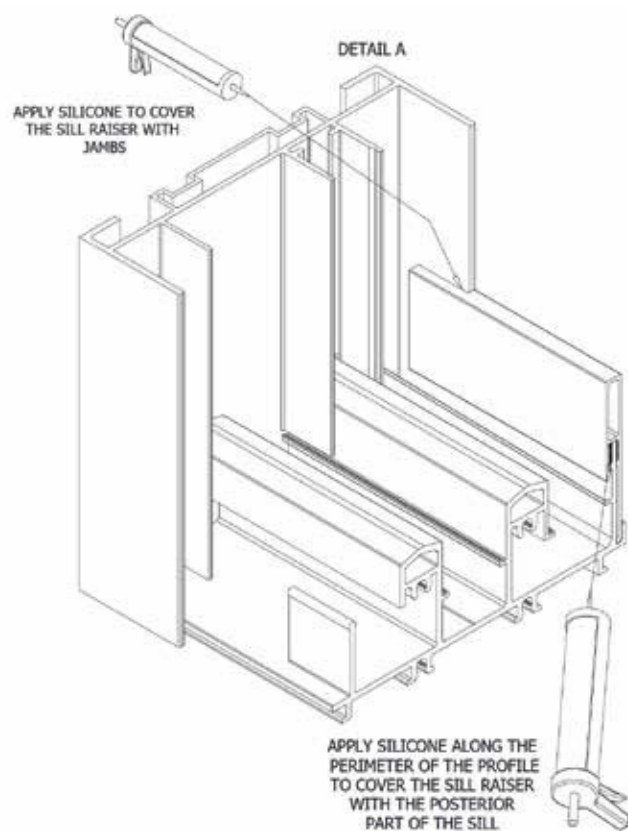
- ① FOR LOCK @ ASTRAGAL
#10-16 x 1" self drilling
AISI 410
- ② FOR LOCK @ JAMB
#10-32 x 3/4"
Type F screw AISI 410
on pre drilled pilot hole $\varnothing 5/32$ "



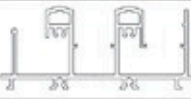
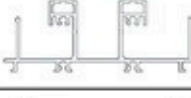

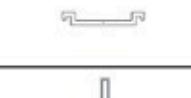
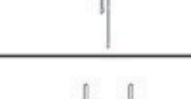
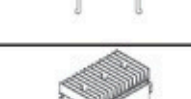
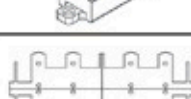



SILL RAISER

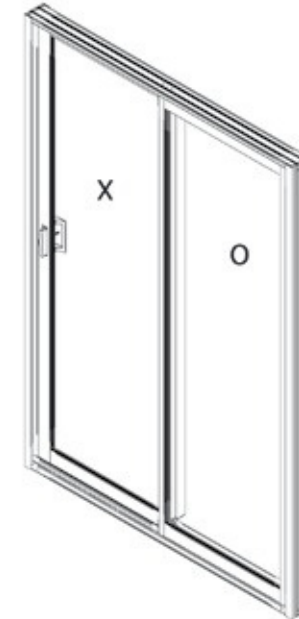
A. To install the sill raiser apply a generous bead of silicone all along the sill and in the "sill raiser" cavity. Place the sill raiser on top of the sill and using a rubber hammer hit it to snap it in place.

B. Seal at the intersection on the sill raiser with the jambs.



XO AND OX PACKAGE






ITEM	MR GLASS PART NUMBER	SUPPLIER	DESCRIPTION	MATERIAL	QTY (u) Size Req'mnt)	(No	LOCATION	PICTURE
1	E-1501	----	SILL	ALUMINUM	1		N/A	
2	E-1503	----	HEAD	ALUMINUM	1		N/A	
3	E-1502	----	JAMBS	ALUMINUM	2		N/A	
4	E-1520	----	DRAINAGE COVER	ALUMINUM	2		N/A	
5	E-1521	----	SILL RAISER	ALUMINUM	1		AT SILL	
6	E-1522	----	HEAD COVER	ALUMINUM	2		AT HEAD	
7	G15-12	IDH	SEAL BRIDGE	NEOPRENE	1		AT HEAD	
8	G15-15	IDH	NEOPRENE GASKET	NEOPRENE	4		VERT AND HORZ CONNECTION	
9	L15-01	IDH	HANDLE SET	ZAMAK, ALUMINUM, SS	1		AT ACTIVE	
10	ADJUSTABLE STRIKE PS01-1060	INTERLOCK	STRIKE	ALUMINUM	1		AT JAMB	

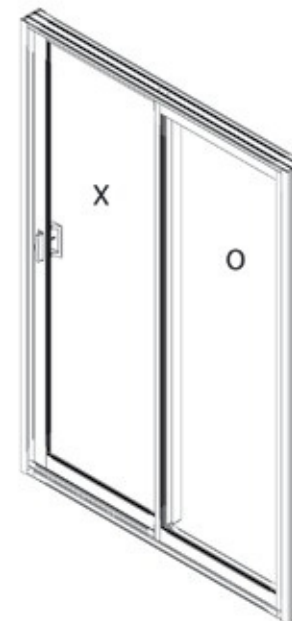


Assy screws #12-24 x 1-1/2" are attached to sill & head.

For XO configuration see page 40 for panel type selection.

XO AND OX PACKAGE (CONT.)

ITEM	MR GLASS PART NUMBER	SUPPLIER	DESCRIPTION	MATERIAL	QTY (u) Size Req'mnt)	(No	LOCATION	PICTURE
11	SHIM SPACER	N/A	SHIM FOR STRIKE	PLASTIC SHIM	1		FOR STRIKE	
12	M15-06	IDH	COVER/GUIDE (AT INTERLOCK)	POLYAMIDE 15% FIBER GLASS	4		FOR GUIDES	
13	N/A	----	MG1500 FIXING ANGLE	ALUMINUM	4		FOR BUMPER & FIXING ANGLE	
14	N/A	----	BUMPER	NEOPRENE	2		BUMPER	
15	N/A	----	FIXING ANGLE COVER	PLASTIC	2 LH 2 RH		FOR BUMPER & FIXING ANGLE COVER	
16	N/A	----	#10-16 x 1/2" LG PH FH S/S 304 SMS	----	4		FOR AIR SEAL BRIDGE	
17	N/A	----	#10-16 x 1" LG. SELF-DRILLING AISI 410	----	9		FOR BUMPER	
18	N/A	----	#10-32 x 3/4" LG. TYPE F AISI 410	----	3		FOR STRIKE	

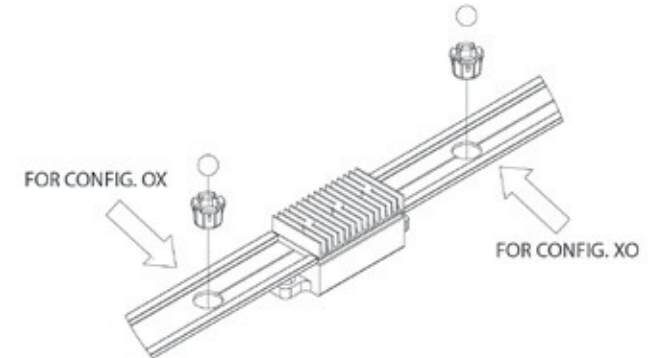
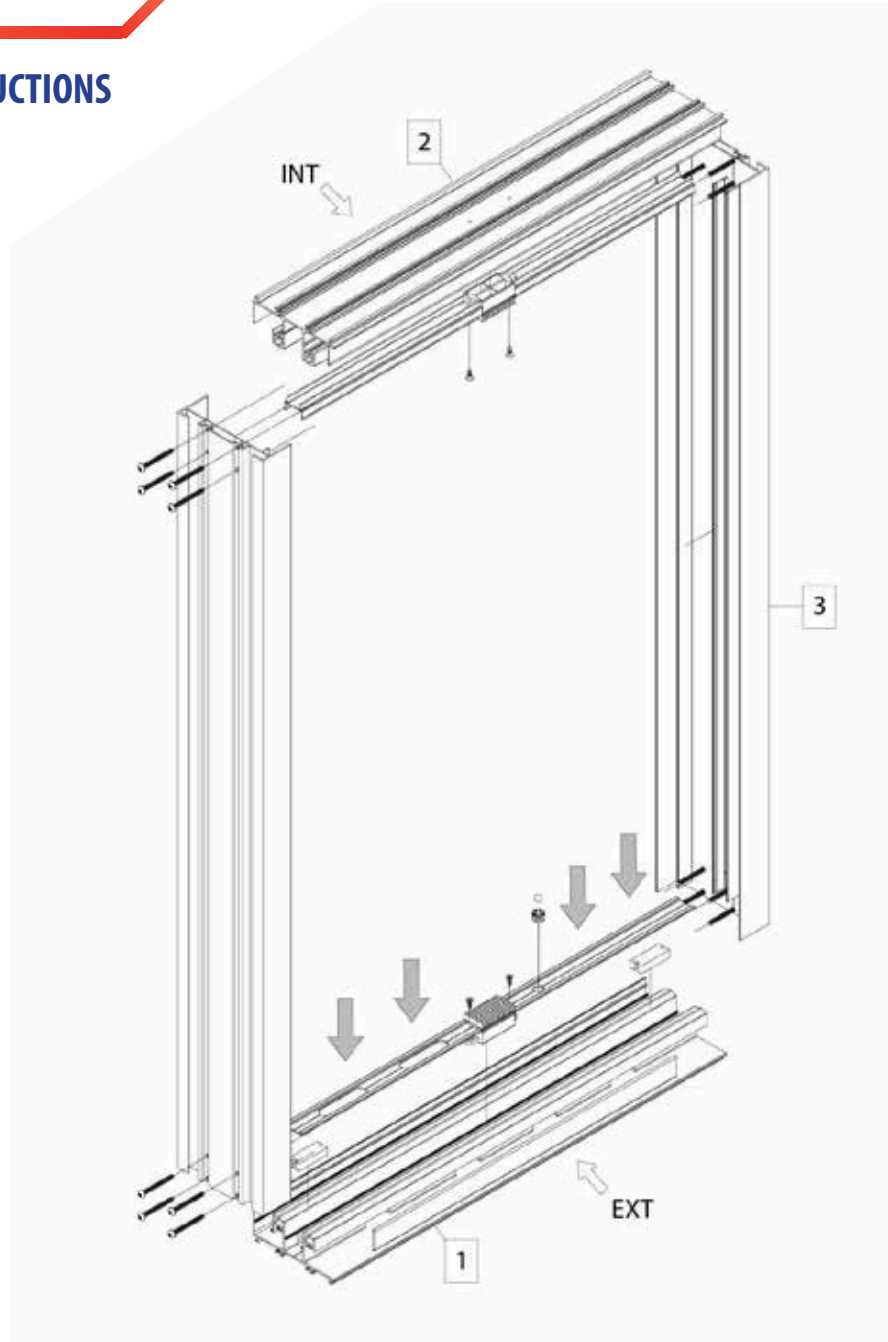


Assy screws #12-24 x 1-1/2" are attached to sill & head.

For XO configuration see page 40 for panel type selection.



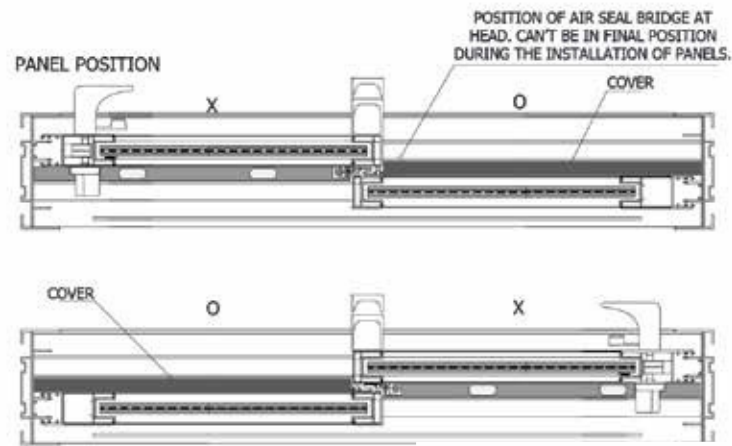
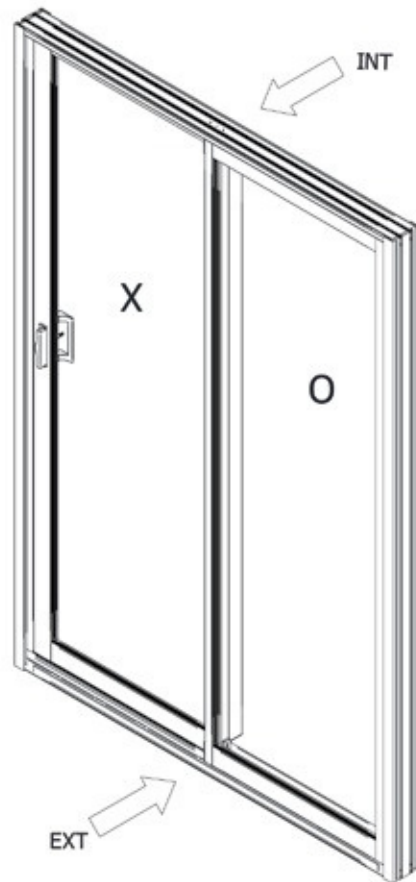
XO AND OX TRACK INSTRUCTIONS



Note:

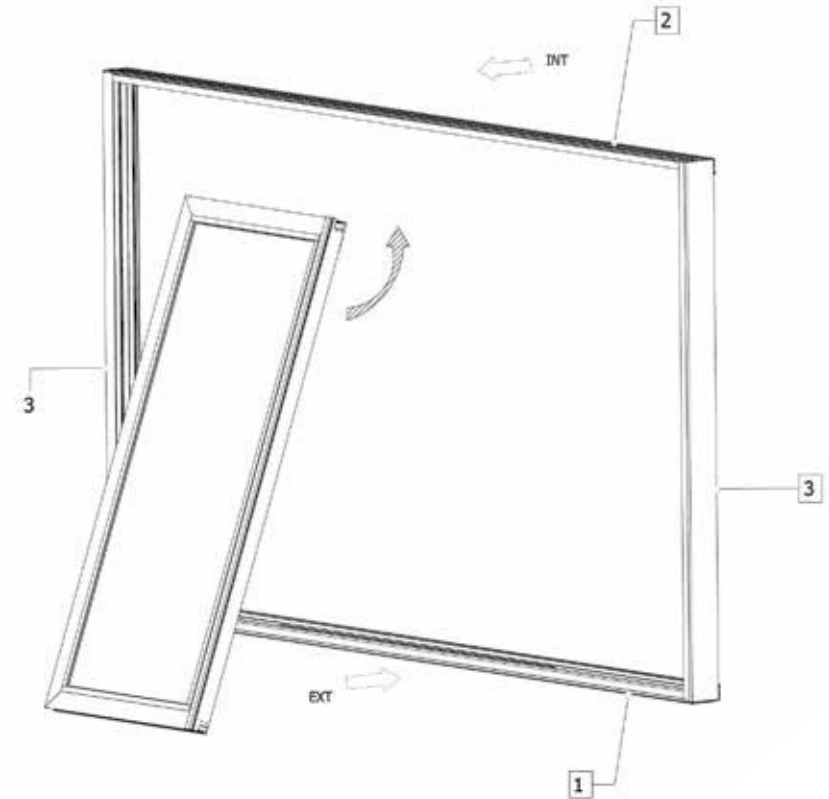
For configuration OX, place cover at opposite side. See figure above.

XO AND OX PANEL INSTRUCTIONS

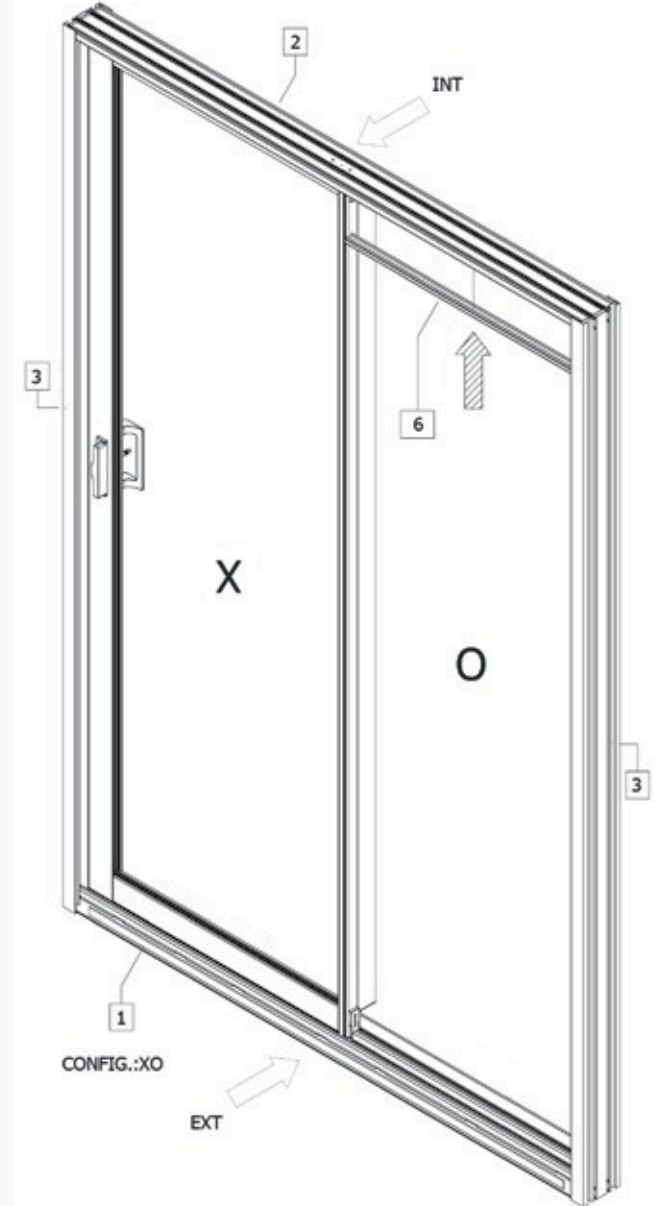
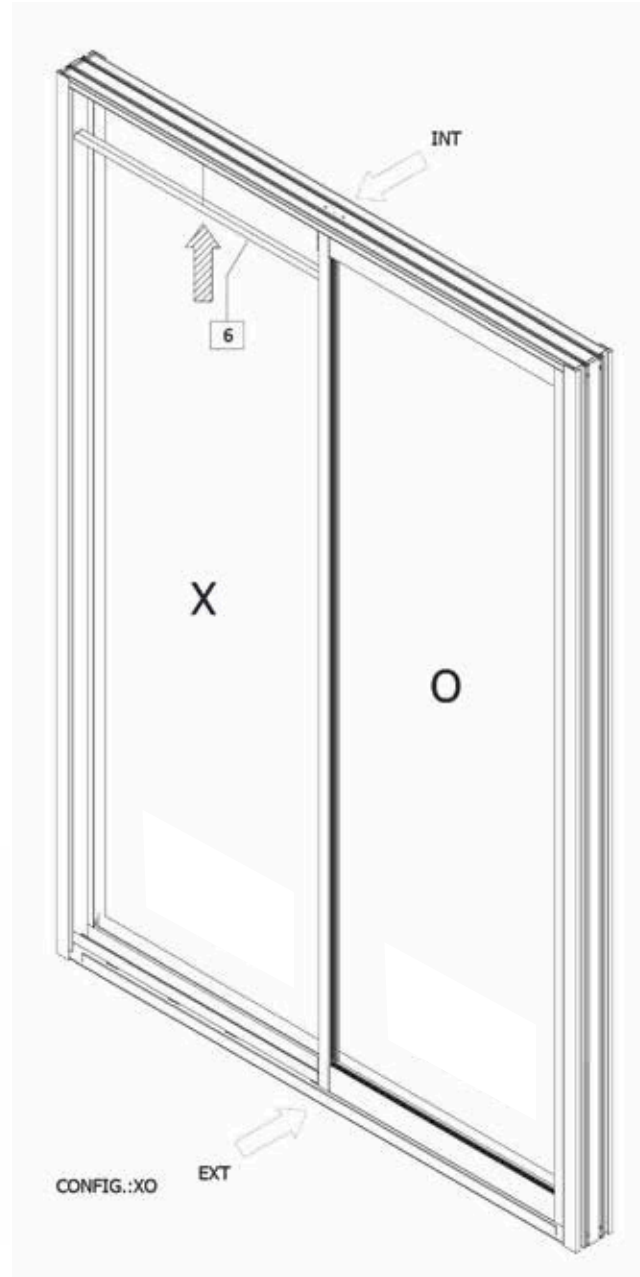
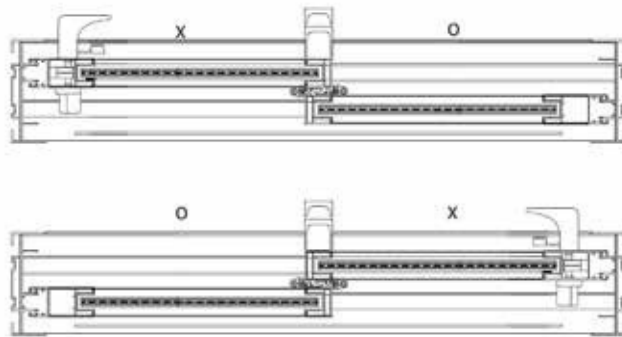


Note:

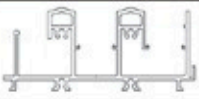
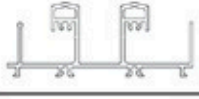
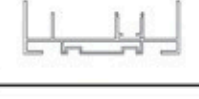
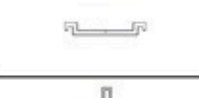

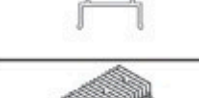
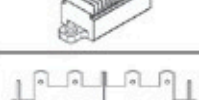
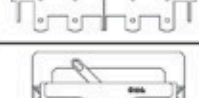


All panels are installed in the same way.
For panel positions for the XO configuration, see page 39.



XO AND OX COVERS INSTRUCTIONS



XX AND XX REVERSE PACKAGE






ITEM	MR GLASS PART NUMBER	SUPPLIER	DESCRIPTION	MATERIAL	QTY (u) (No Size Req'mnt)	LOCATION	PICTURE
1	E-1501	----	SILL	ALUMINUM	1	N/A	
2	E-1503	----	HEAD	ALUMINUM	1	N/A	
3	E-1502	----	JAMBS	ALUMINUM	2	N/A	
4	E-1520	----	DRAINAGE COVER	ALUMINUM	2	N/A	
5	E-1521	----	SILL RAISER	ALUMINUM	1	AT SILL	
6	E-1522	----	HEAD COVER	ALUMINUM	2	AT HEAD	
7	G15-12	IDH	SEAL BRIDGE	NEOPRENE	1	AT HEAD	
8	G15-15	IDH	NEOPRENE GASKET	NEOPRENE	4	VERT AND HORZ CONNECTION	
9	L15-01	IDH	HANDLE SET	ZAMAK, ALUMINUM, SS	2	AT ACTIVE	
10	ADJUSTABLE STRIKE PS01-1060	INTERLOCK	STRIKE	ALUMINUM	2	AT JAMB	

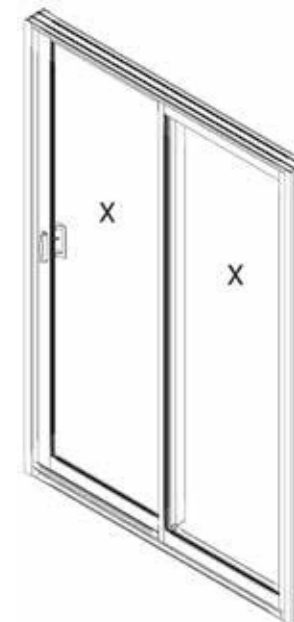


Assy screws #12-24 x 1-1/2" are attached to sill & head.

For XX configuration see page 40 for panel type selection.

XX AND XX REVERSE PACKAGE (CONT.)

ITEM	MR GLASS PART NUMBER	SUPPLIER	DESCRIPTION	MATERIAL	QTY (u) (No Size Req'mnt)	LOCATION	PICTURE
11	SHIM SPACER	N/A	SHIM FOR STRIKE	PLASTIC SHIM	2	FOR STRIKE	
12	M15-06	IDH	COVER/GUIDE (AT INTERLOCK)	POLYAMIDE 15% FIBER GLASS	4	FOR GUIDES	
13	N/A	----	MG1500 FIXING ANGLE	ALUMINUM	2	FOR BUMPER	
14	N/A	----	BUMPER	NEOPRENE	2	BUMPER	
15	N/A	----	FIXING ANGLE COVER	PLASTIC	1 LH 1 RH	FIXING ANGLE COVER	
16	N/A	----	#10-16 x 1/2" LG PH FH S/S 304 SMS	----	4	FOR AIR SEAL BRIDGE	
17	N/A	----	#10-16 x 1" LG. SELF-DRILLING AISI 410	----	8	FOR BUMPER	
18	N/A	----	#10-32 x 3/4" LG. TYPE F AISI 410	----	3	FOR STRIKE	

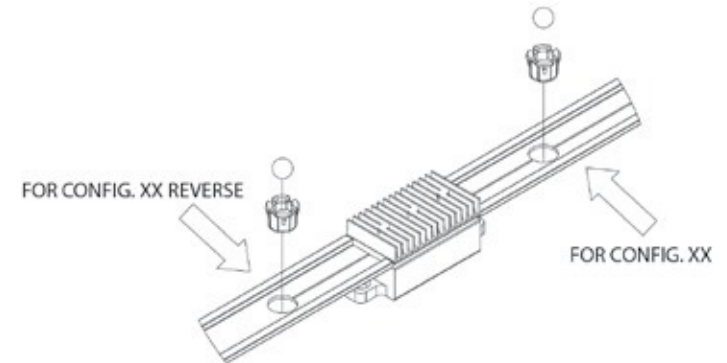
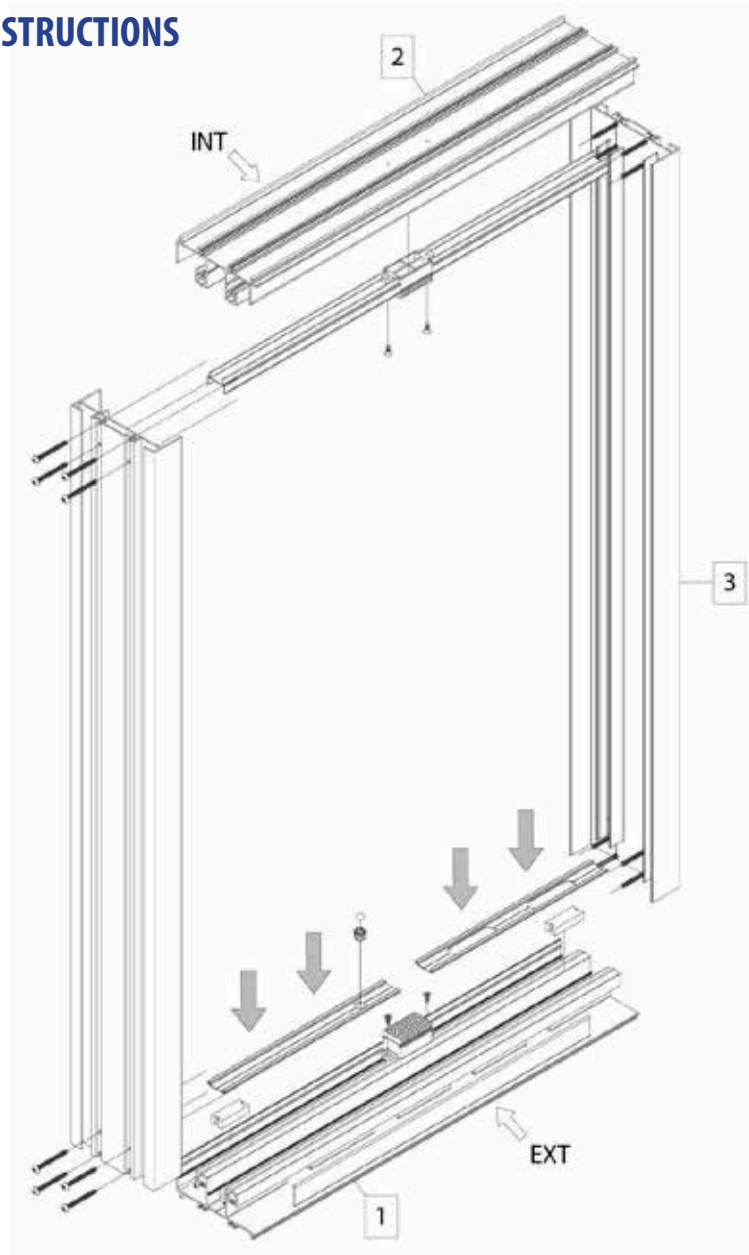


Assy screws #12-24 x 1-1/2" are attached to sill & head.

For XX configuration see page 40 for panel type selection.



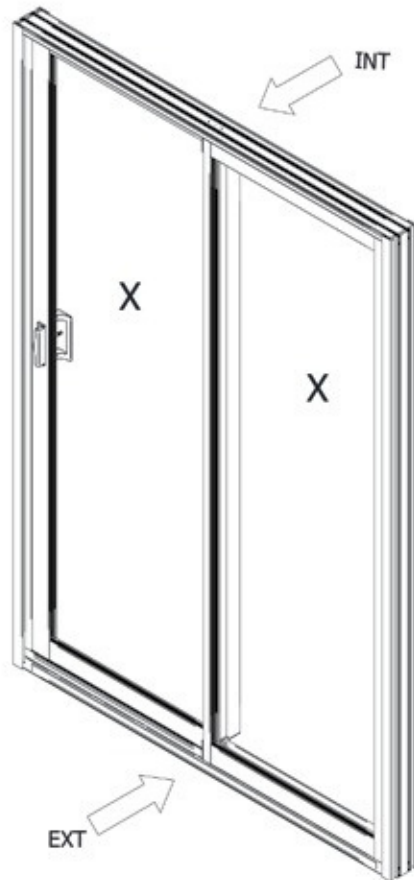
XX AND XX REVERSE TRACKS INSTRUCTIONS



Note:

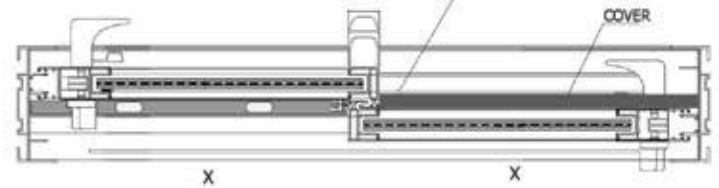
For configuration XX, place cover at opposite side. See figure above.

XX AND XX REVERSE PANEL INSTRUCTIONS

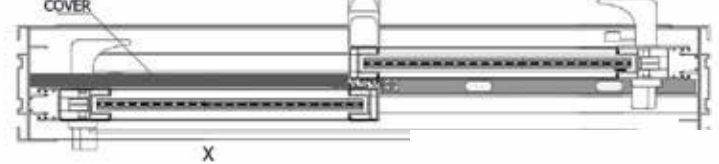


PANEL POSITION

CONFIG: XX

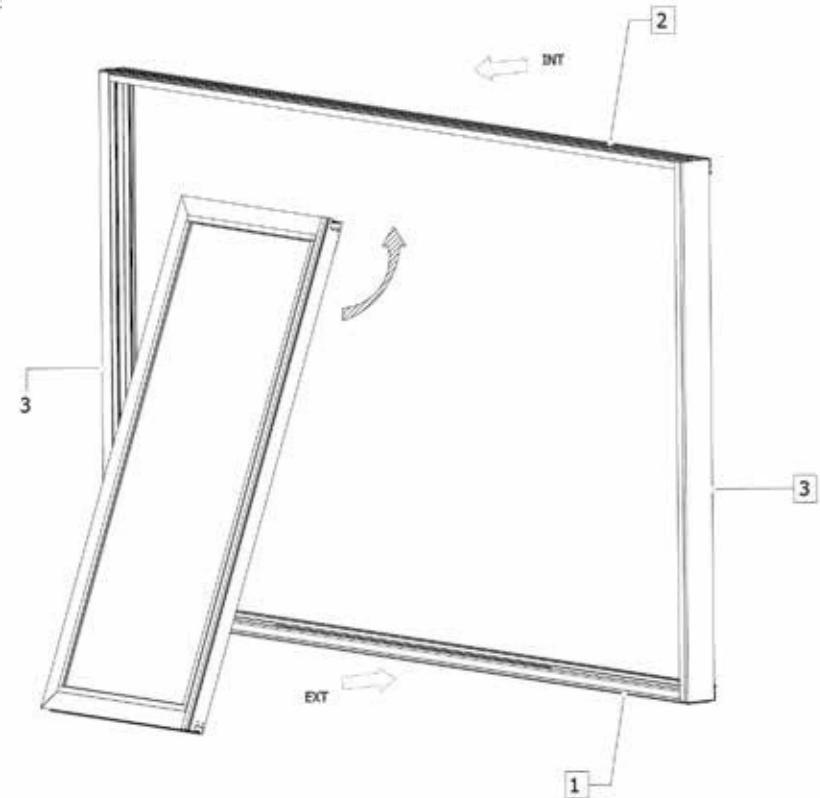


CONFIG: XX REVERSE COVER

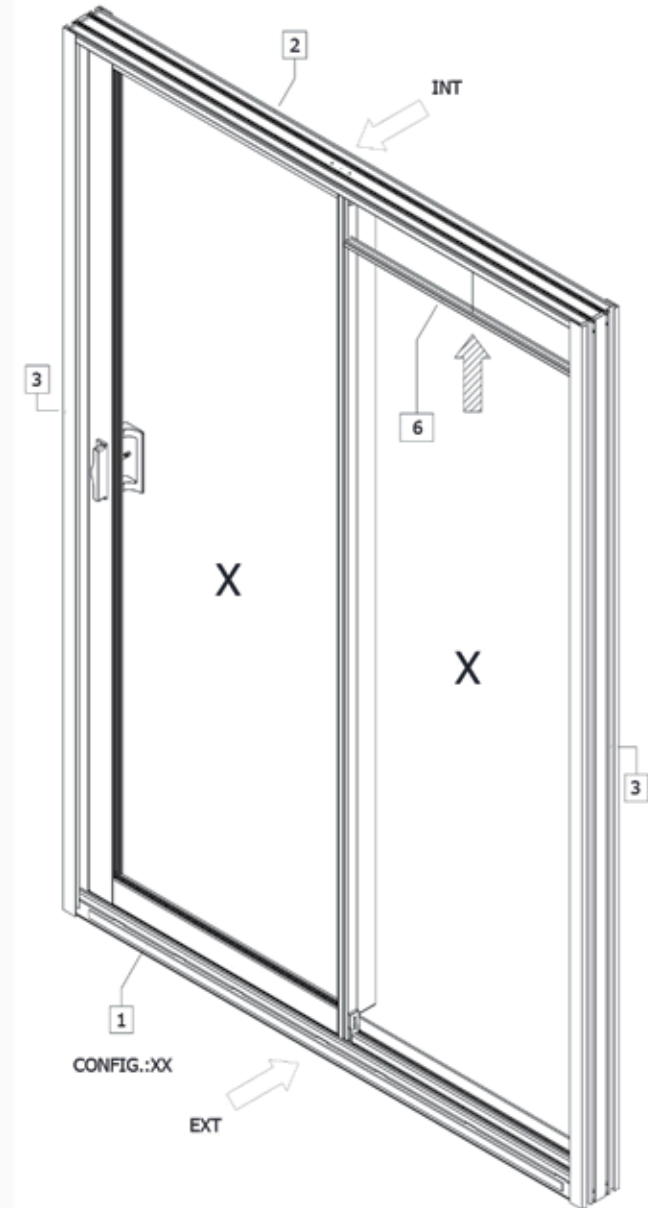
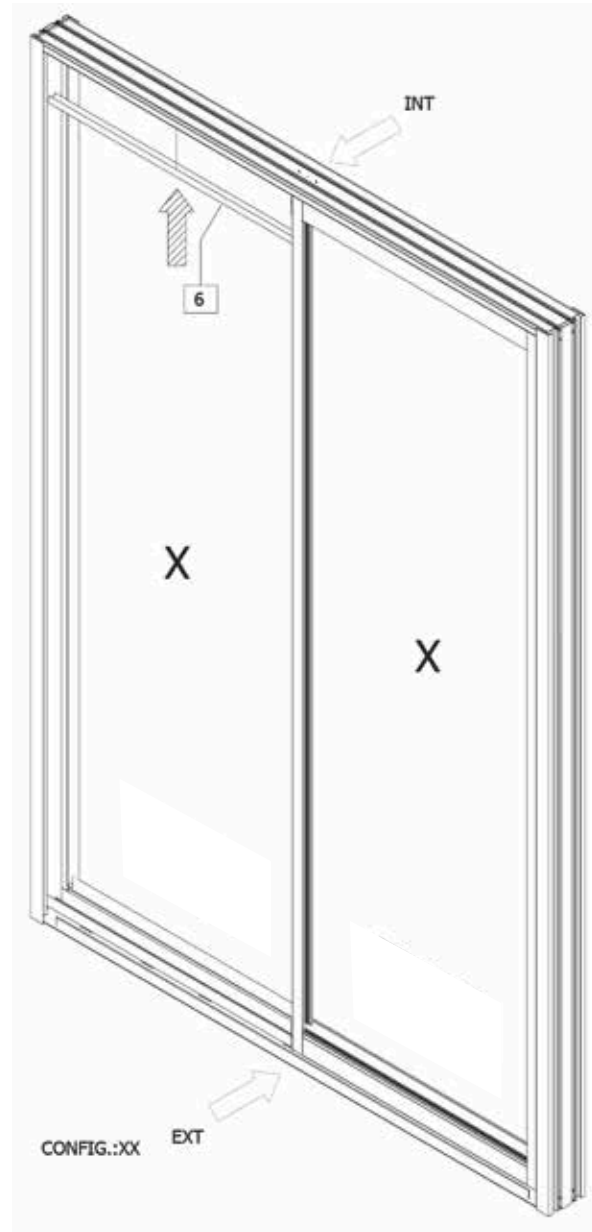
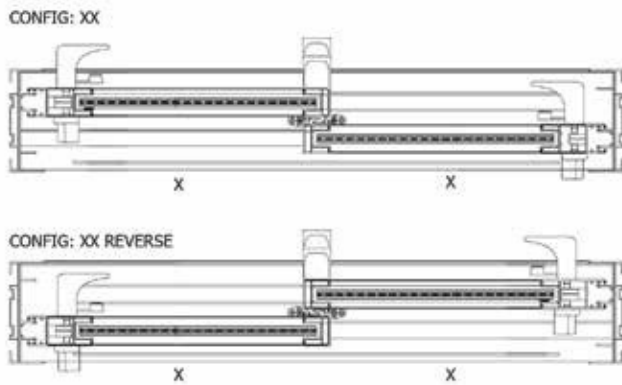


Note:

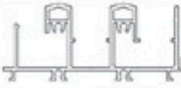
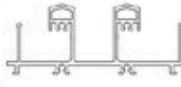




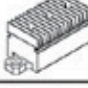
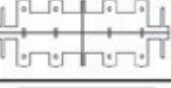


All panels are installed in the same way.
For panel positions for the XX configuration, see page 39.



XX AND XX REVERSE COVERS INSTRUCTIONS



OXO AND OXO REVERSE PACKAGE

ITEM	MR GLASS PART NUMBER	SUPPLIER PART NUMBER	DESCRIPTION	MATERIAL	QTY (u) (No Size Req'mnt)	LOCATION	PICTURE
1	E-1501	----	SILL	ALUMINUM	1	N/A	
2	E-1503	----	HEAD	ALUMINUM	1	N/A	
3	E-1502	----	JAMBS	ALUMINUM	2	N/A	
4	E-1520	----	DRAINAGE COVER	ALUMINUM	2	N/A	
5	E-1521	----	SILL RAISER	ALUMINUM	1	AT SILL	
6	E-1522	----	HEAD COVER	ALUMINUM	2	AT HEAD	
7	G15-12	KT1500-MG-X/12	SEAL BRIDGE	NEOPRENE	1	AT HEAD	
8	G15-15	KT1500-MG-X/15	NEOPRENE GASKET	NEOPRENE	4	VERT AND HORZ CONNECTION	
9	L15-01	T11000/C14A30-2P/CM-2P	HANDLE SET	ZAMAK, ALUMINUM, SS	1	AT ACTIVE	
10	----	T11000/C14A30-2P/CM-2P	HANDLE SET (DUMMY)	ZAMAK, ALUMINUM, SS	1	AT INACTIVE	




Assy screws #12-24 x 1-1/2" are attached to sill & head.

For OXO configuration see page 40 for panel type selection.

Note: Panel types E1, E2, F1 & F2 are provided with extrusion of installed astragal. Remove the astragal to insert the panels into the frame. Astragal must be reinstalled using the screws provided.

OXO AND OXO REVERSE PACKAGE (CONT.)

ITEM	MR GLASS PART NUMBER	SUPPLIER PART NUMBER	DESCRIPTION	MATERIAL	QTY (u) (No Size Req'mnt)	LOCATION	PICTURE
11	ADJUSTABLE STRIKE P501-1060	N/A	STRIKE	ALUMINUM	1	AT ASTRAGAL	
12	M15-06	KT1500-MG-X/6	COVER/GUIDE (AT INTERLOCK)	POLYAMIDE 15% FIBER GLASS	4	FOR GUIDES	
13	N/A	N/A	FIXING ANGLE	ALUMINUM	4	FOR FIXING ANGLE AND BUMPER	
14	N/A	N/A	FIXING ANGLE	ALUMINUM	2	FOR FIXING ANGLE	
15	N/A	N/A	BUMPER	NEOPRENE	2	BUMPER	
16	N/A	N/A	FIXING ANGLE COVER	PLASTIC	2 LH 2 RH	ANGLE COVER	
17	N/A	N/A	#10-16 x 1/2" LG PH FH S/S 304 SMS	----	4	FOR AIR SEAL BRIDGE	
18	N/A	N/A	#10-16 x 1" LG. PH PH SELF- DRILLING AISI 410	----	8	FOR FIXING ANGLE AND BUMPER	
19	N/A	N/A	#10-16 x 1" LG. PH FH SELF- DRILLING AISI 410	----	6	FOR FIXING ANGLE AND BUMPER	
20	N/A	N/A	#12-14 x 1 1/2" LG. PH FH S.S. SELF-DRILLING AISI 410	----	8	FOR ASTRAGAL	
21	N/A	N/A	#10-16 x 1" LG. SELF- DRILLING AISI 410	----	3	FOR STRIKE AT ASTRAGAL	

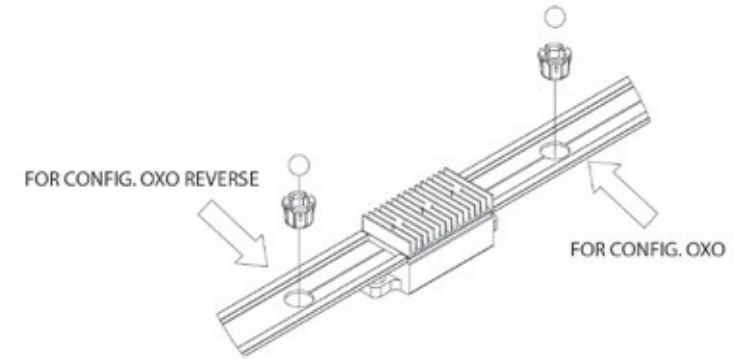
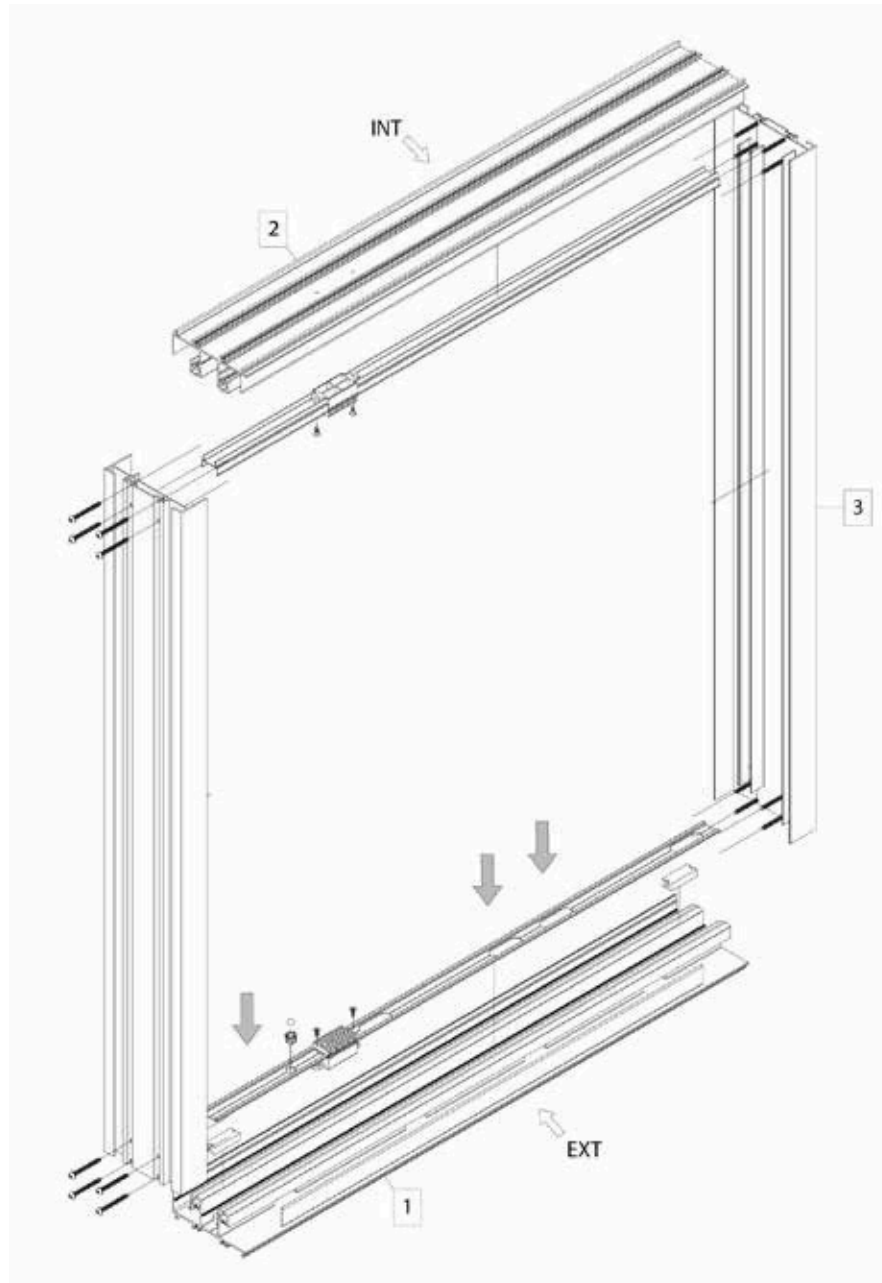


Assy screws #12-24 x 1-1/2" are attached to sill & head.

For OXO configuration see page 40 for panel type selection.

Note: Panel types E1, E2, F1 & F2 are provided with extrusion of installed astragal. Remove the astragal to insert the panels into the frame. Astragal must be reinstalled using the screws provided.

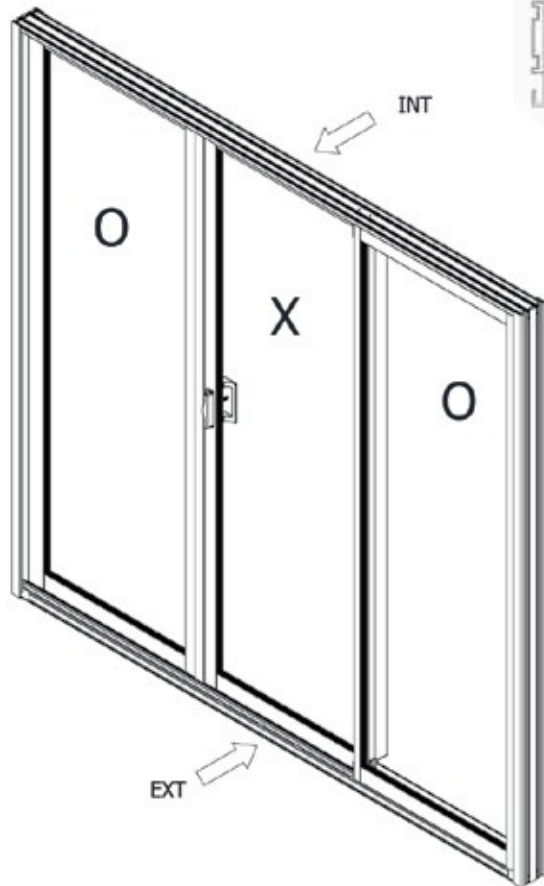
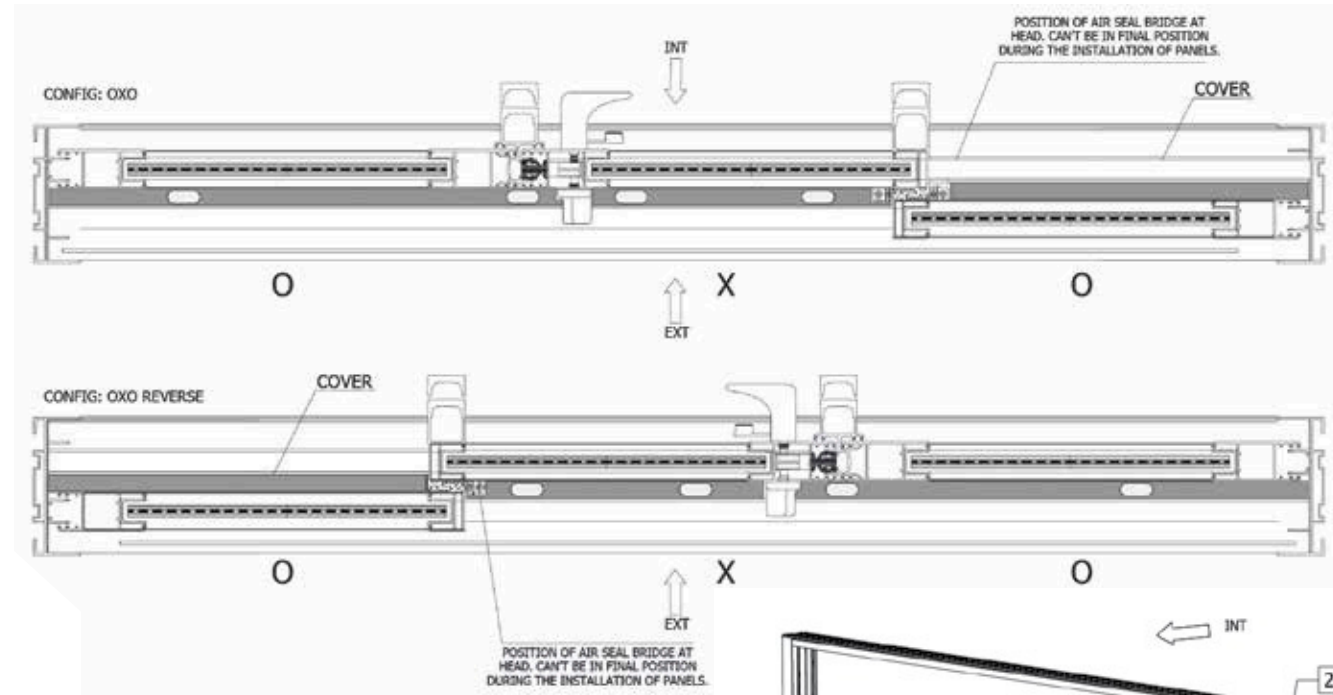
**OXO AND OXO REVERSE
TRACK INSTRUCTIONS**



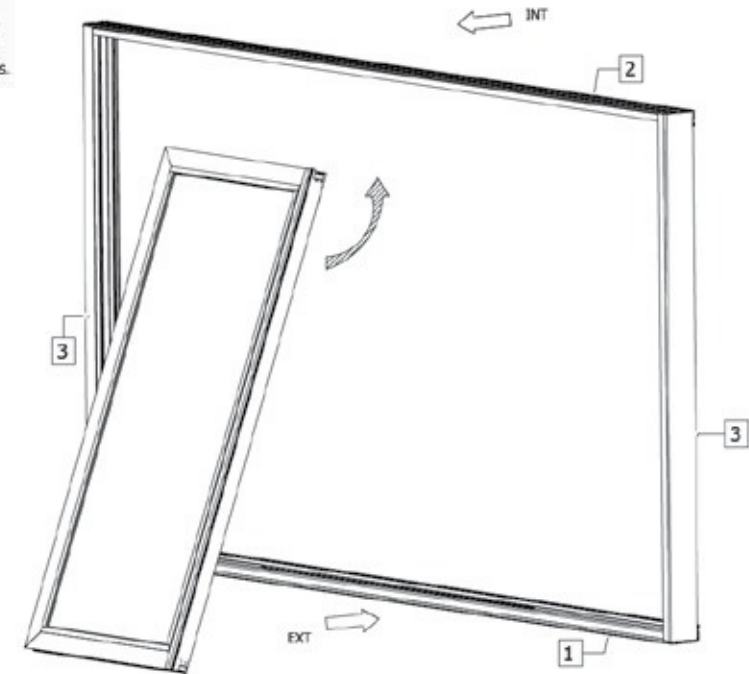
Note:
For configuration OXO, place cover at opposite side.
See figure above.



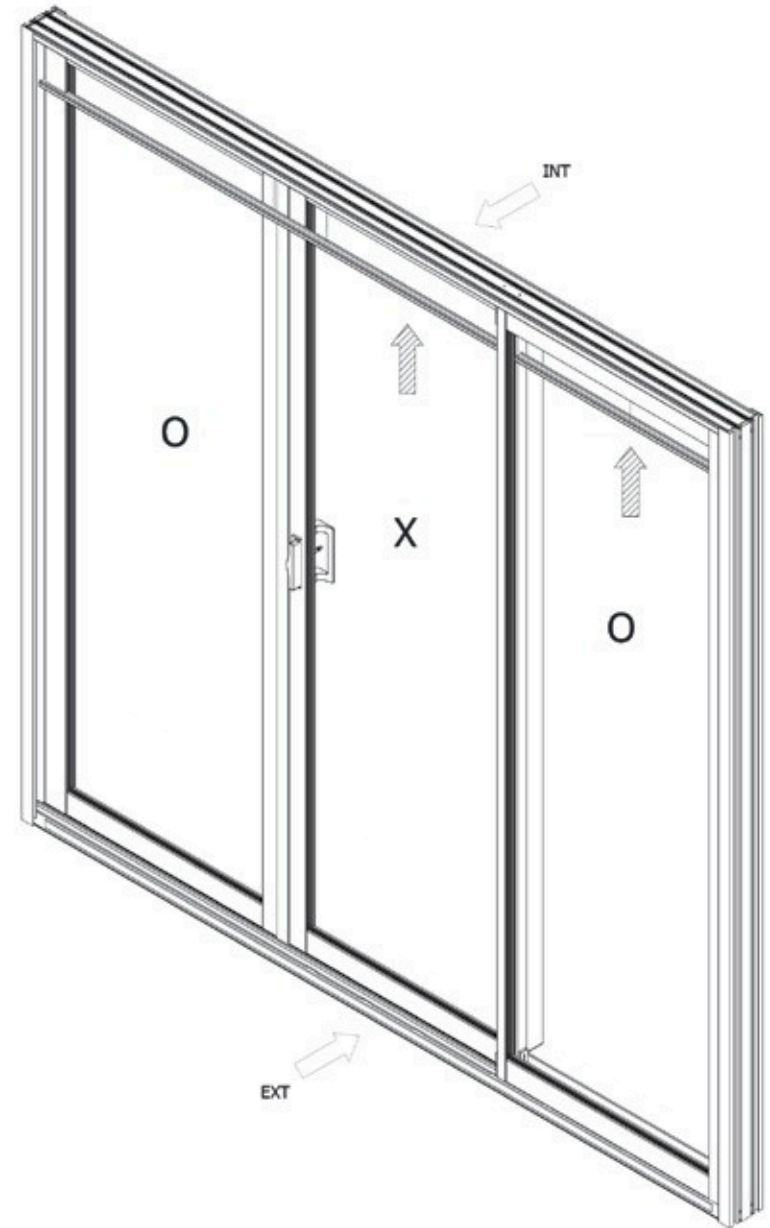
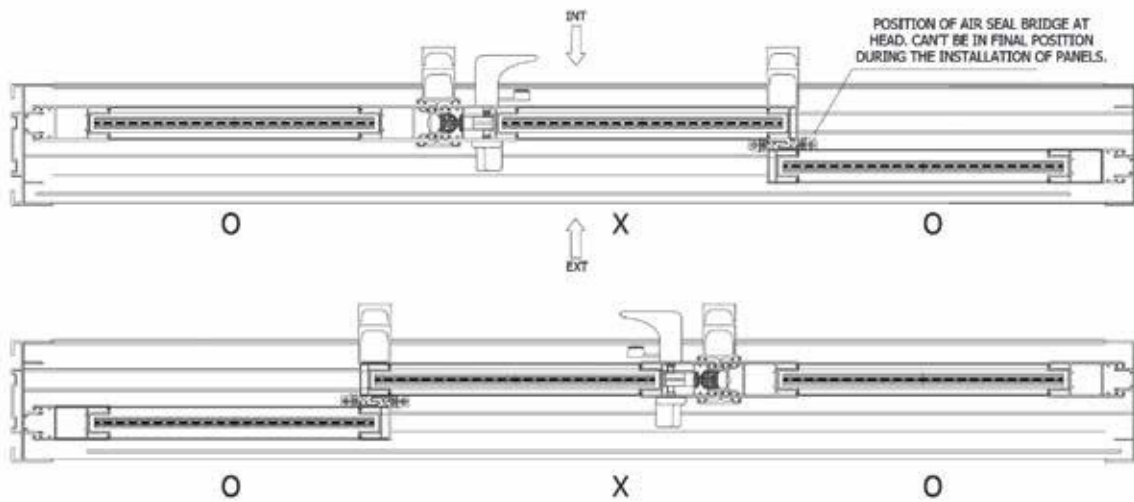
OXO AND OXO REVERSE PANELS INSTRUCTIONS




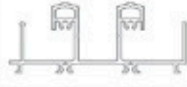








Note:
All panels are installed in the same way.
For panel positions for the OXO configuration, see page 39.

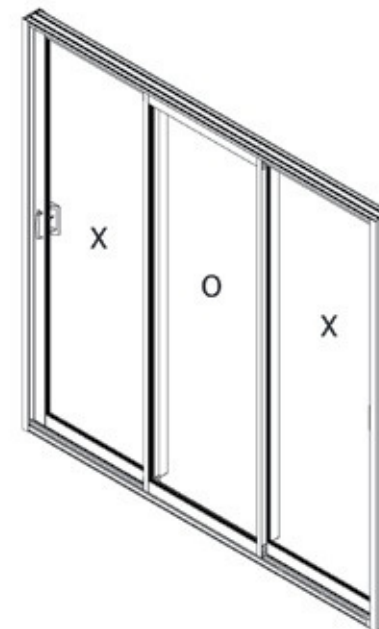


OXO COVERS INSTRUCTIONS



XOX AND XOX REVERSE PACKAGE





ITEM	MR GLASS PART NUMBER	SUPPLIER PART NUMBER	DESCRIPTION	MATERIAL	QTY (u) (No Size Req'mnt)	LOCATION	PICTURE
1	E-1501	----	SILL	ALUMINUM	1	N/A	
2	E-1503	----	HEAD	ALUMINUM	1	N/A	
3	E-1502	----	JAMBS	ALUMINUM	2	N/A	
4	E-1520	----	DRAINAGE COVER	ALUMINUM	3	N/A	
5	E-1521	----	SILL RAISER	ALUMINUM	1	AT SILL	
6	E-1522	----	HEAD COVER	ALUMINUM	3	AT HEAD	
7	G15-12	KT1500-MG-X/12	SEAL BRIDGE	NEOPRENE	2	AT HEAD	
8	G15-15	KT1500-MG-X/15	NEOPRENE GASKET	NEOPRENE	4	VERT AND HORZ CONNECTION	
9	L15-01	T11000/C14A30-2P/CM-2P	HANDLE SET	ZAMAK, ALUMINUM, SS	2	AT ACTIVE	
10	ADJUSTABLE STRIKE PS01-1060	N/A	STRIKE	ALUMINUM	2	AT JAMBS	

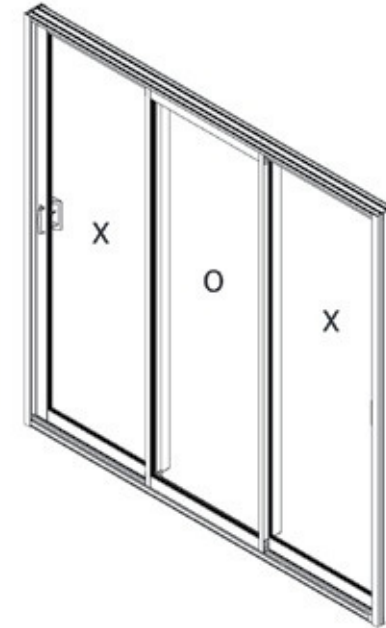


Assy screws #12-24 x 1-1/2" are attached to sill & head.

For XOX configuration see page 40 for panel type selection.

XOX AND XOX REVERSE PACKAGE (CONT.)

ITEM	MR GLASS PART NUMBER	SUPPLIER PART NUMBER	DESCRIPTION	MATERIAL	QTY (u) (No Size Req'mnt)	LOCATION	PICTURE
11	M15-06	KT1500-MG-X/6	COVER/GUIDE (AT INTERLOCK)	POLYAMIDE 15% FIBER GLASS	8	FOR GUIDES	
12	N/A	N/A	FIXING ANGLE	ALUMINUM	4	FOR FIXING ANGLE AND BUMPER	
13	N/A	N/A	BUMPER	NEOPRENE	2	BUMPER	
14	N/A	N/A	FIXING ANGLE COVER	PLASTIC	2 LH 2 RH	ANGLE COVER	
15	N/A	N/A	#10-16 x 1/2" LG PH FH S/S 304 SMS	----	8	FOR AIR SEAL BRIDGE	
16	N/A	N/A	#10-16 x 1" LG. PH PH SELF- DRILLING AISI 410	----	8	FOR FIXING ANGLE AND BUMPER	
17	N/A	N/A	#10-32 x 3/4" LG. TYPE F AISI 410	----	3	FOR STRIKE	

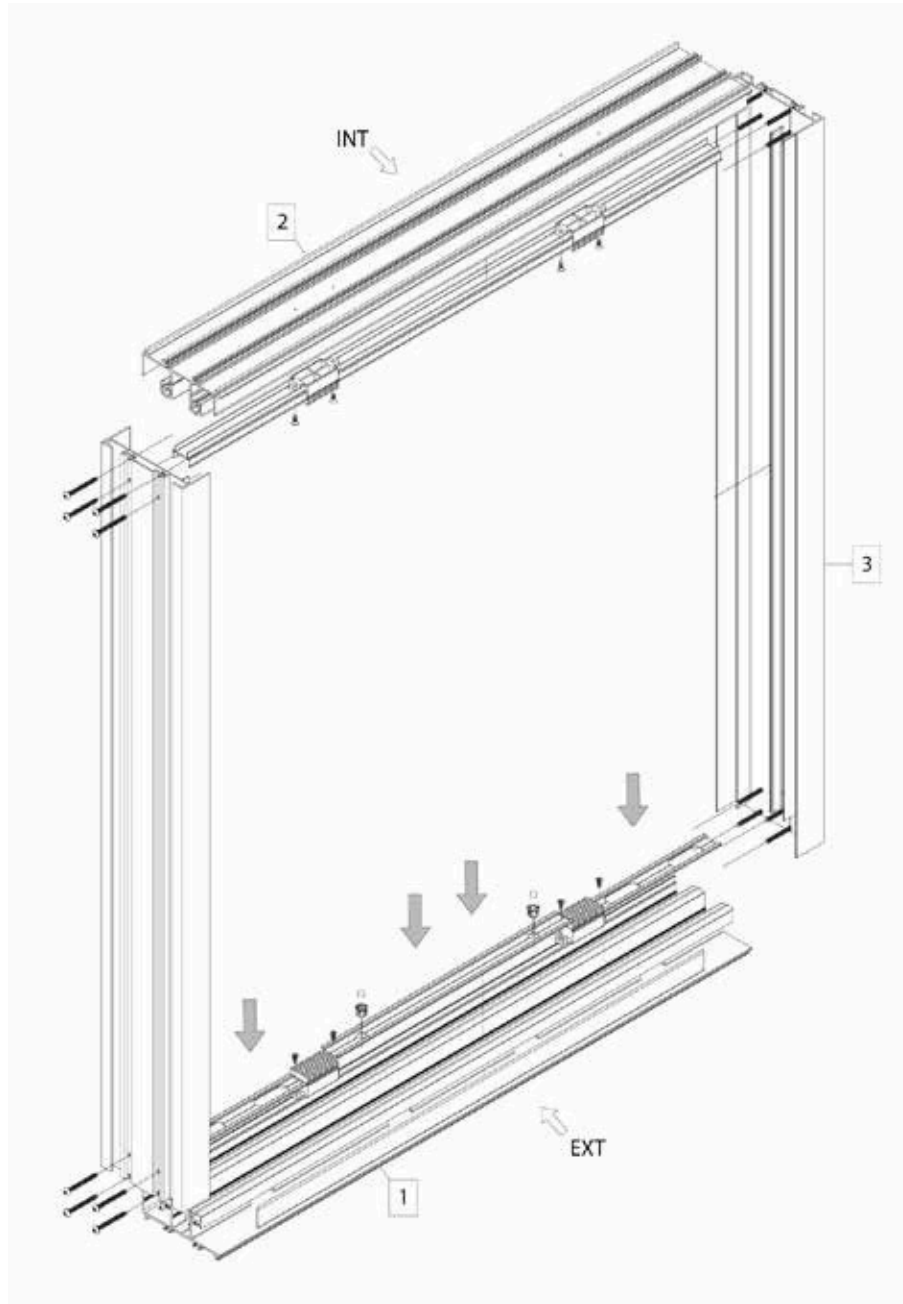


Assy screws #12-24 x 1-1/2" are attached to sill & head.

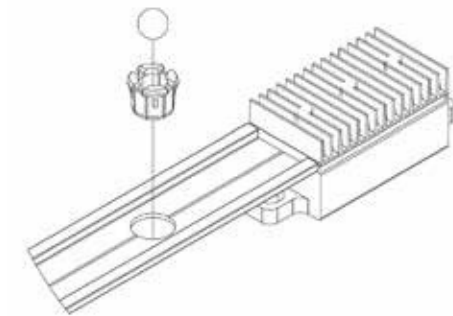
For XOX configuration see page 40 for panel type selection.



**XOX AND XOX REVERSE
TRACK INSTRUCTIONS**



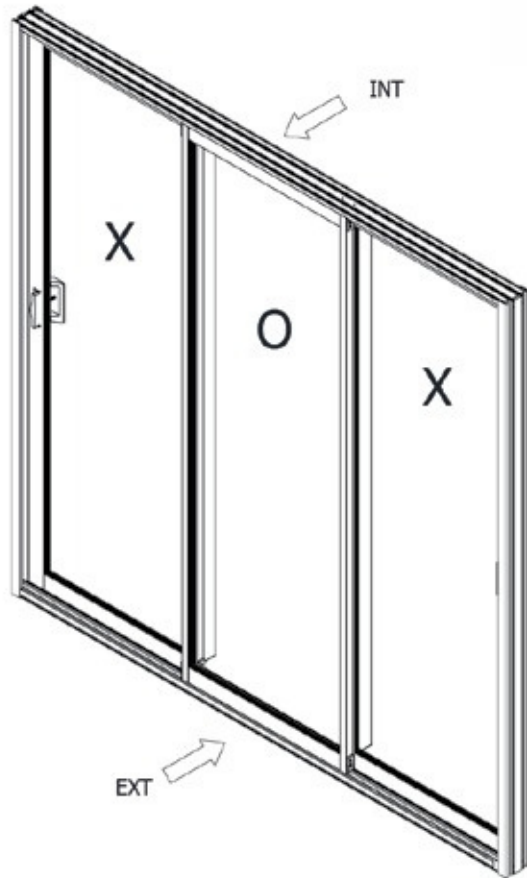
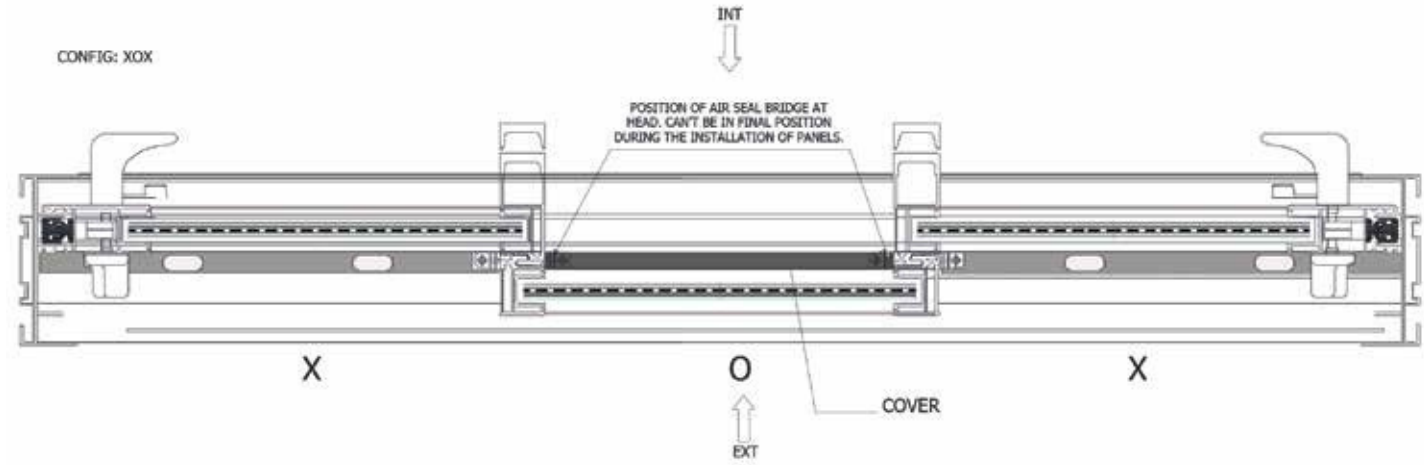
ENLARGED DETAIL OF SILL COVER



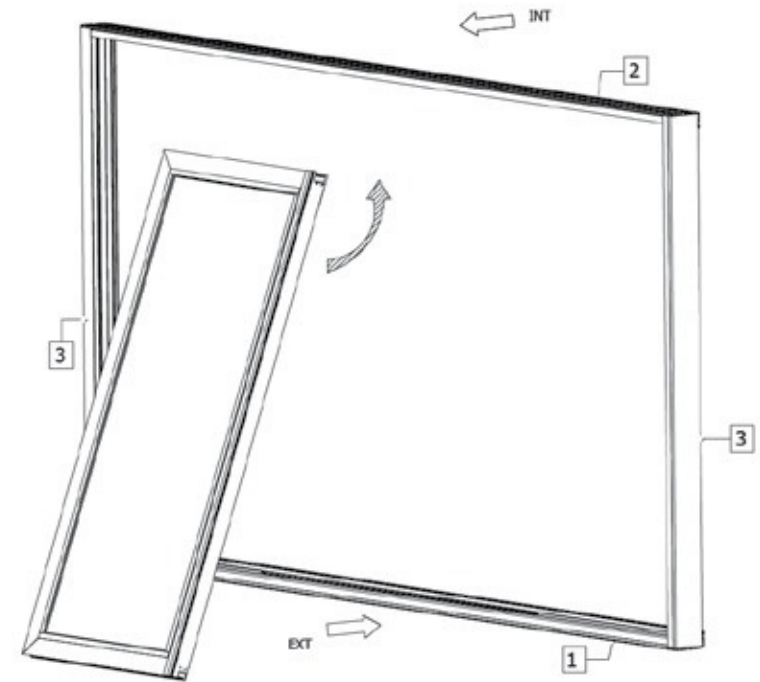
Note:

*For configuration XOX, place cover at opposite side.
See figure above.*

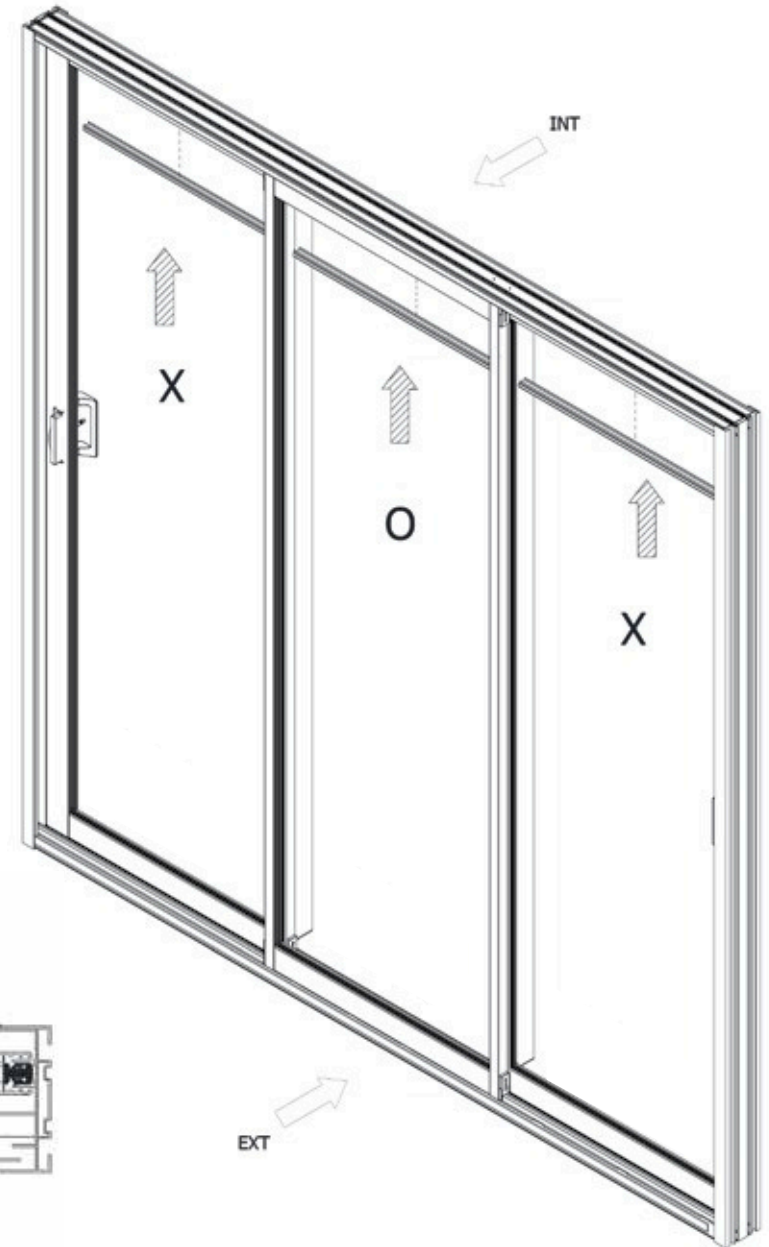
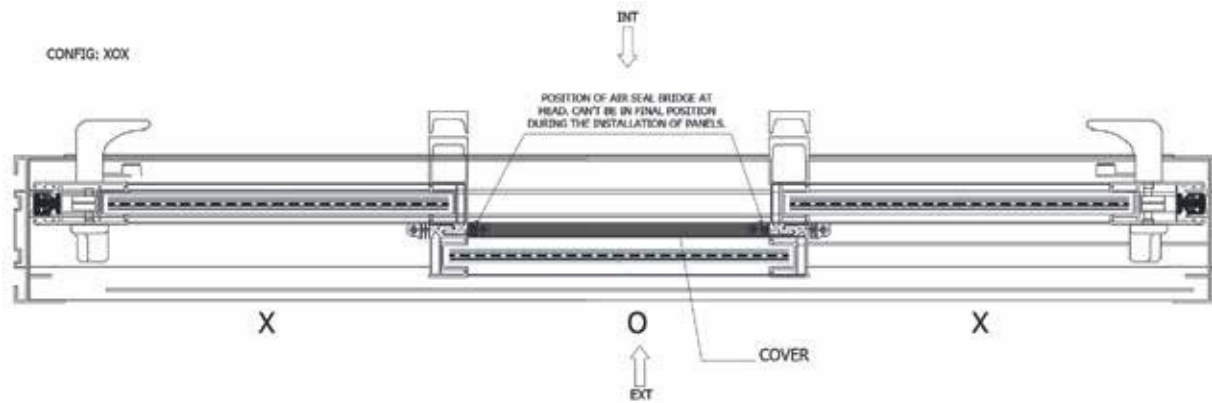
XOX PANELS INSTRUCTIONS



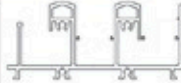
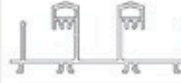





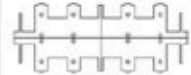


Note:
All panels are installed in the same way.
For panel positions for the OXO configuration, see page 39.

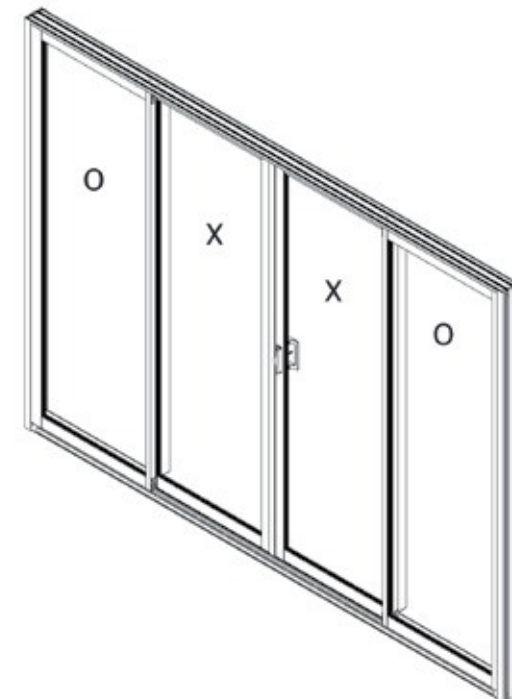


XOX COVERS INSTRUCTIONS



OXXO PACKAGE






ITEM	MR GLASS PART NUMBER	SUPPLIER PART NUMBER	DESCRIPTION	MATERIAL	QTY (u) (No Size Req'mnt)	LOCATION	PICTURE
1	E-1501	----	SILL	ALUMINUM	1	N/A	
2	E-1503	----	HEAD	ALUMINUM	1	N/A	
3	E-1502	----	JAMBS	ALUMINUM	2	N/A	
4	E-1520	----	DRAINAGE COVER	ALUMINUM	3	N/A	
5	E-1521	----	SILL RAISER	ALUMINUM	1	AT SILL	
6	E-1522	----	HEAD COVER	ALUMINUM	3	AT HEAD	
7	G15-12	KT1500-MG-X/12	SEAL BRIDGE	NEOPRENE	2	AT HEAD	
8	G15-15	KT1500-MG-X/15	NEOPRENE GASKET	NEOPRENE	4	VERT AND HORZ CONNECTION	
9	L15-01	T11000/C14A30-2P/CM-2P	HANDLE SET	ZAMAK, ALUMINIUM, SS	1	AT ACTIVE	
10	----	T11000/C14A30-2P/CM-2P	HANDLE SET (DUMMY)	ZAMAK, ALUMINIUM, SS	1	AT INACTIVE	

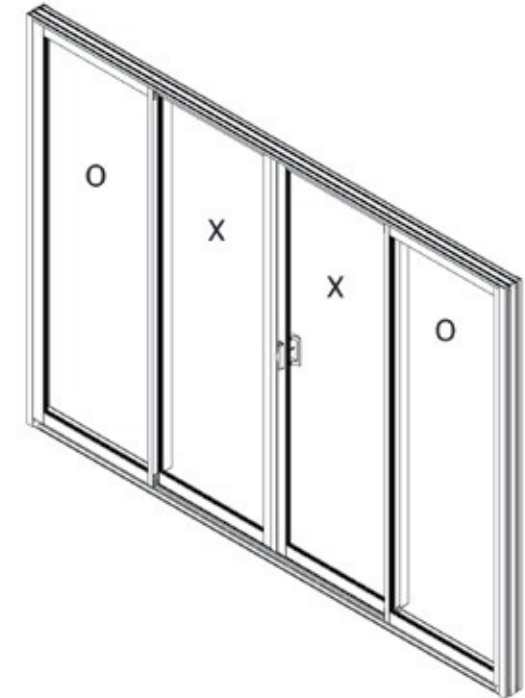


Assy screws #12-24 x 1-1/2" are attached to sill & head.

For OXXO configuration see page 40 for panel type selection.

OXXO PACKAGE (CONT.)

ITEM	MR GLASS PART NUMBER	SUPPLIER PART NUMBER	DESCRIPTION	MATERIAL	QTY (u) (No Size Req'mnt)	LOCATION	PICTURE
11	ADJUSTABLE STRIKE P501-1060	N/A	STRIKE	ALUMINUM	1	AT ASTRAGAL	
12	M15-06	KT1500-MG-X/6	COVER/GUIDE (AT INTERLOCK)	POLYAMIDE 15% FIBER GLASS	8	FOR GUIDES	
13	N/A	N/A	TEMPORARY FIXING ANGLE	ALUMINUM	8	FIXING ANGLE AND BUMPER	
14	N/A	N/A	BUMPER	NEOPRENE	4	BUMPER	
15	N/A	N/A	FIXING ANGLE COVER	PLASTIC	4 LH 4 RH	FIXING ANGLE COVER	
16	N/A	N/A	#10-16 x 1/2" LG PH FH S/S 304 SMS	----	8	FOR AIR SEAL BRIDGE	
17	N/A	N/A	#10-16 x 1" LG. SELF-DRILLING AISI 410	----	16	FOR FIXING ANGLE AND BUMPER	
18	N/A	N/A	#12-14 x 1 1/2" LG. PH PH S.S. SELF-DRILLUNG AISI 410	----	8	FOR ASTRAGAL	
19	N/A	N/A	#10-16 x 1" LG. SELF- DRILLING AISI 410	----	3	FOR STRIKE AT ASTRAGAL	

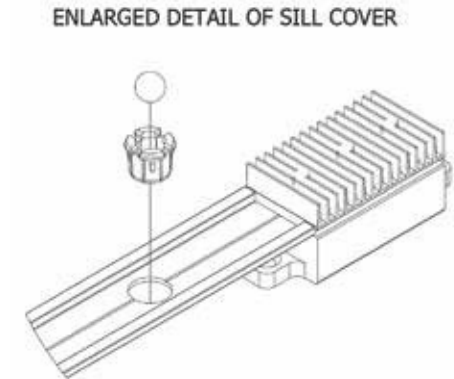
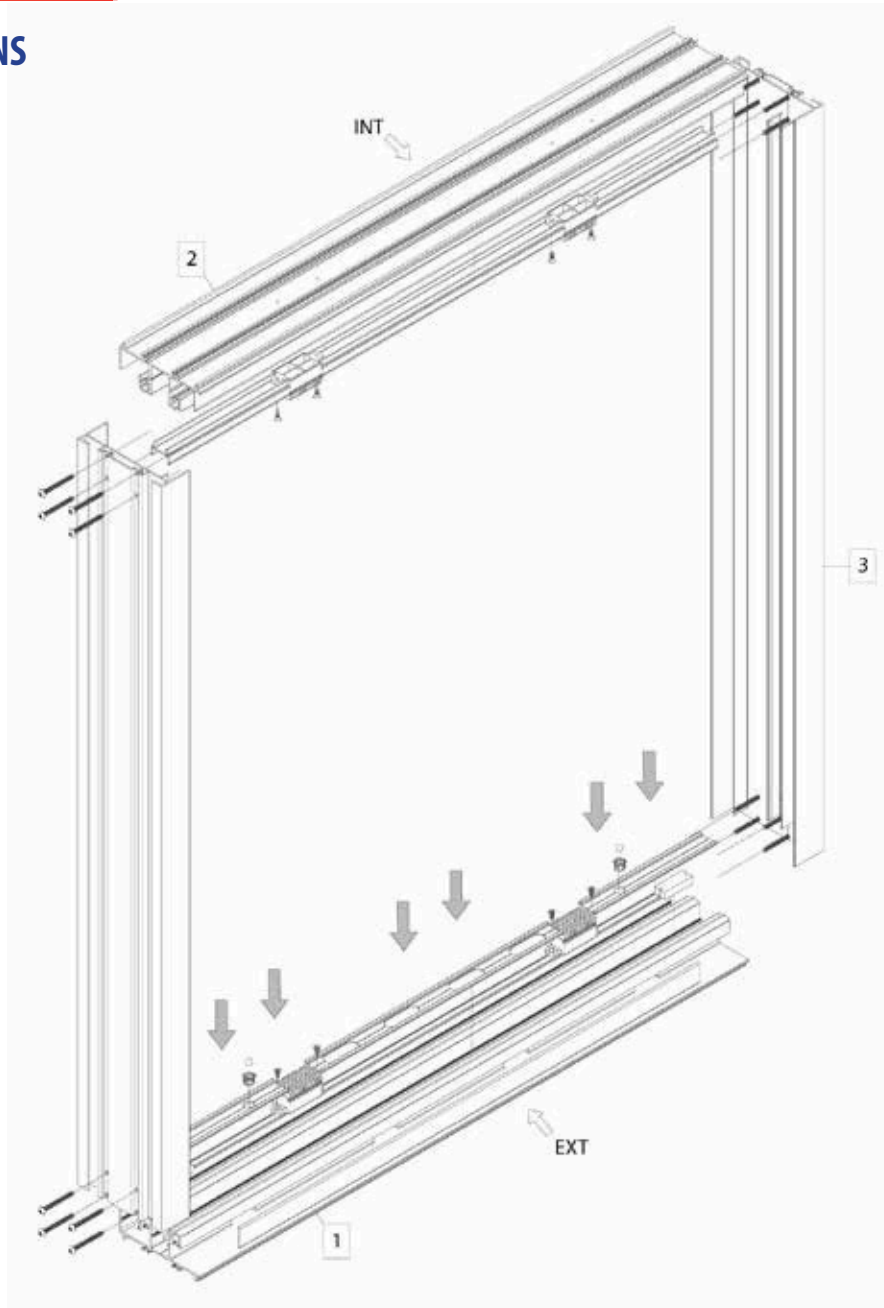


Assy screws #12-24 x 1-1/2" are attached to sill & head.

For OXXO configuration see page 40 for panel type selection.



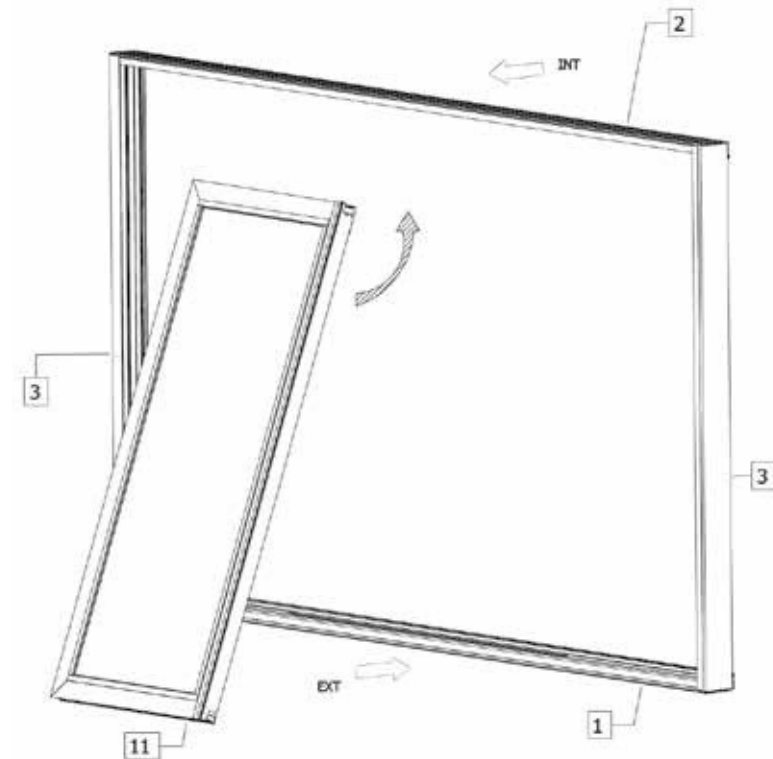
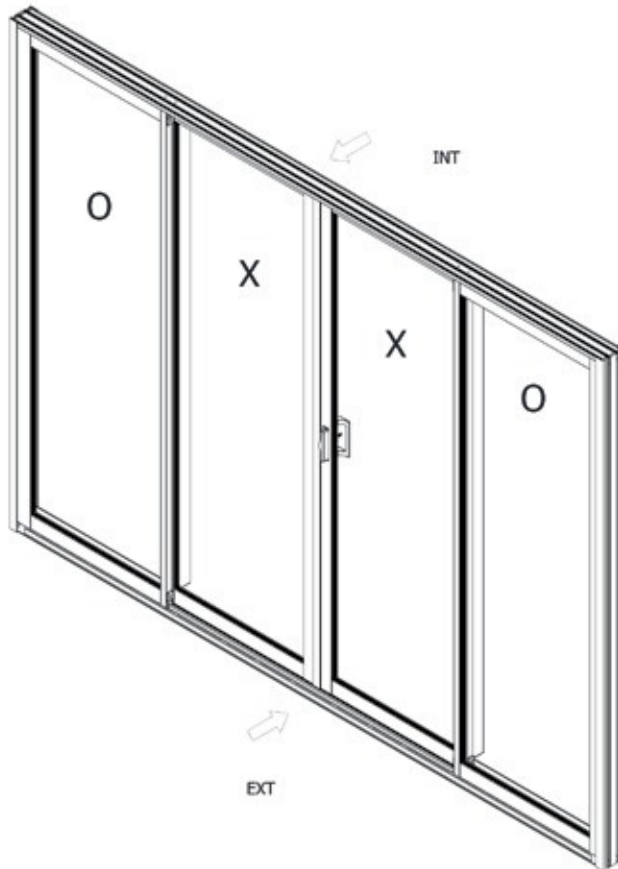
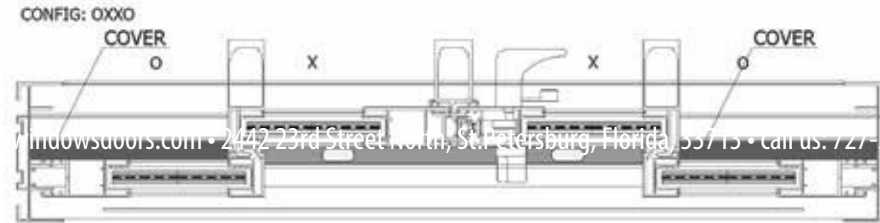
OXXO TRACK INSTRUCTIONS



Note:

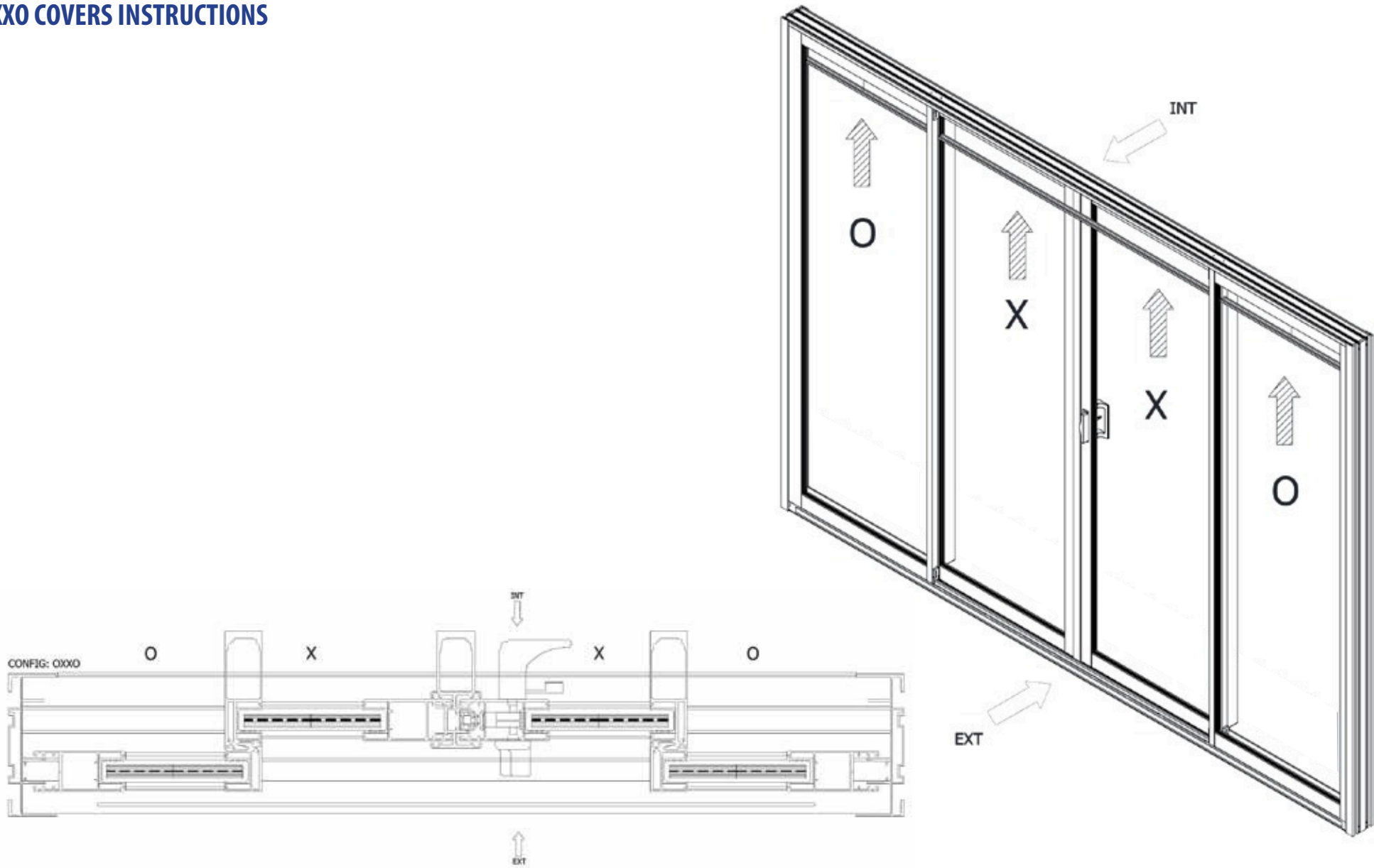
For configuration OXXO, place cover at opposite side.
See figure above.

OXXO PANELS INSTRUCTIONS



Note:
All panels are installed in the same way.
For panel positions for the OXO configuration, see page 39.

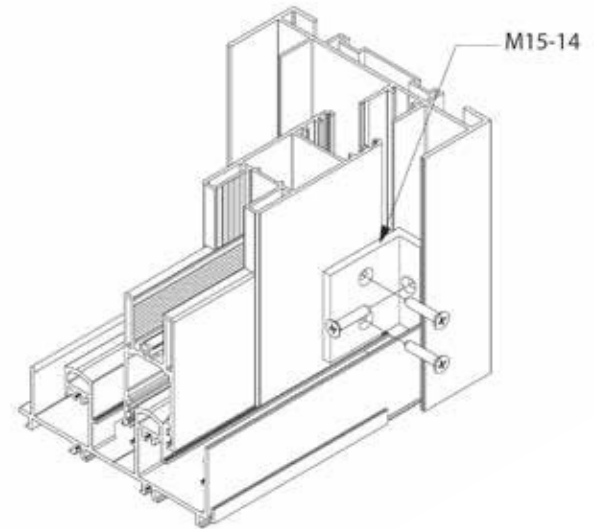
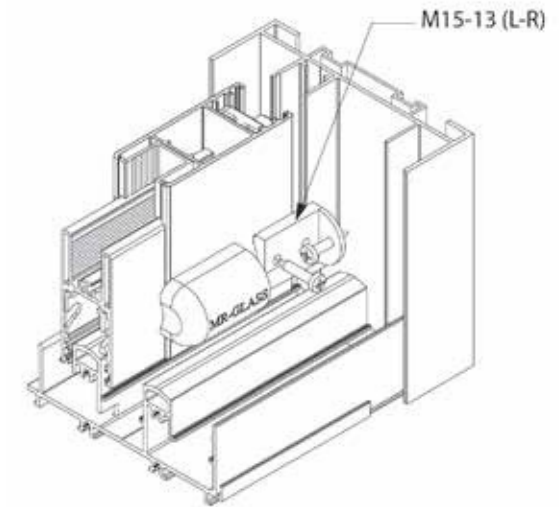
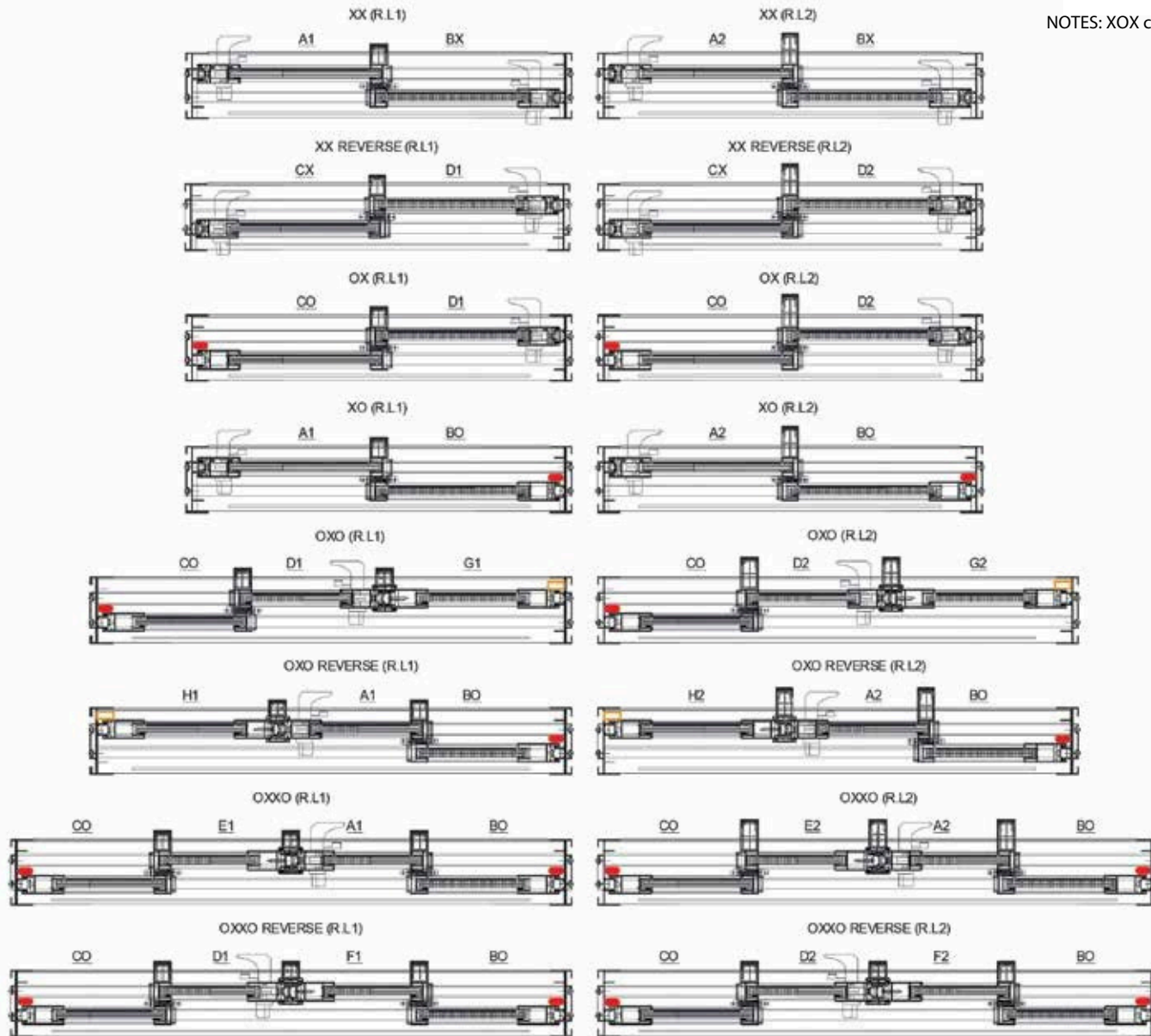
OXXO COVERS INSTRUCTIONS



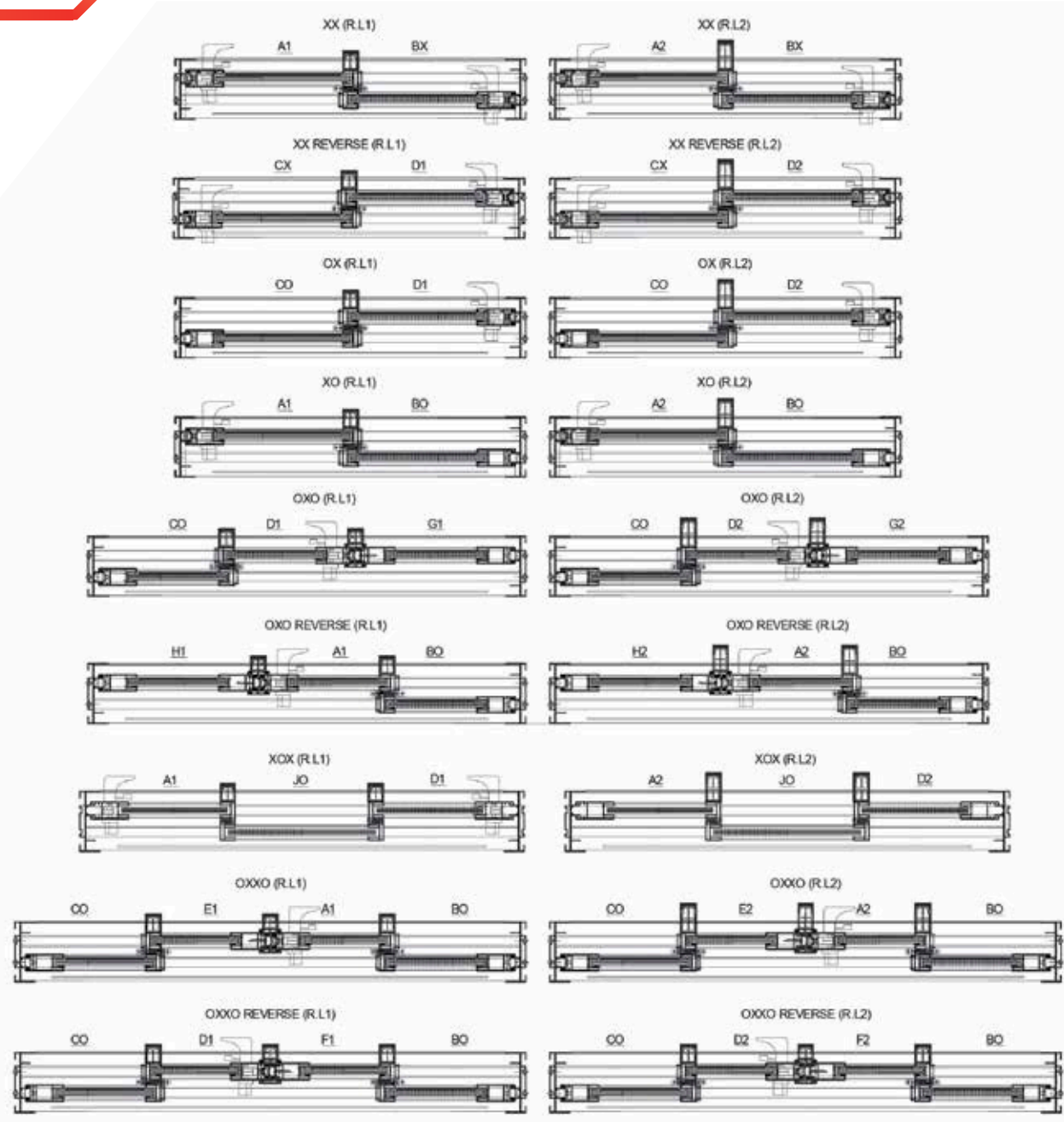
FIX PANEL ATTACHMENT

● M15-13
■ M15-14

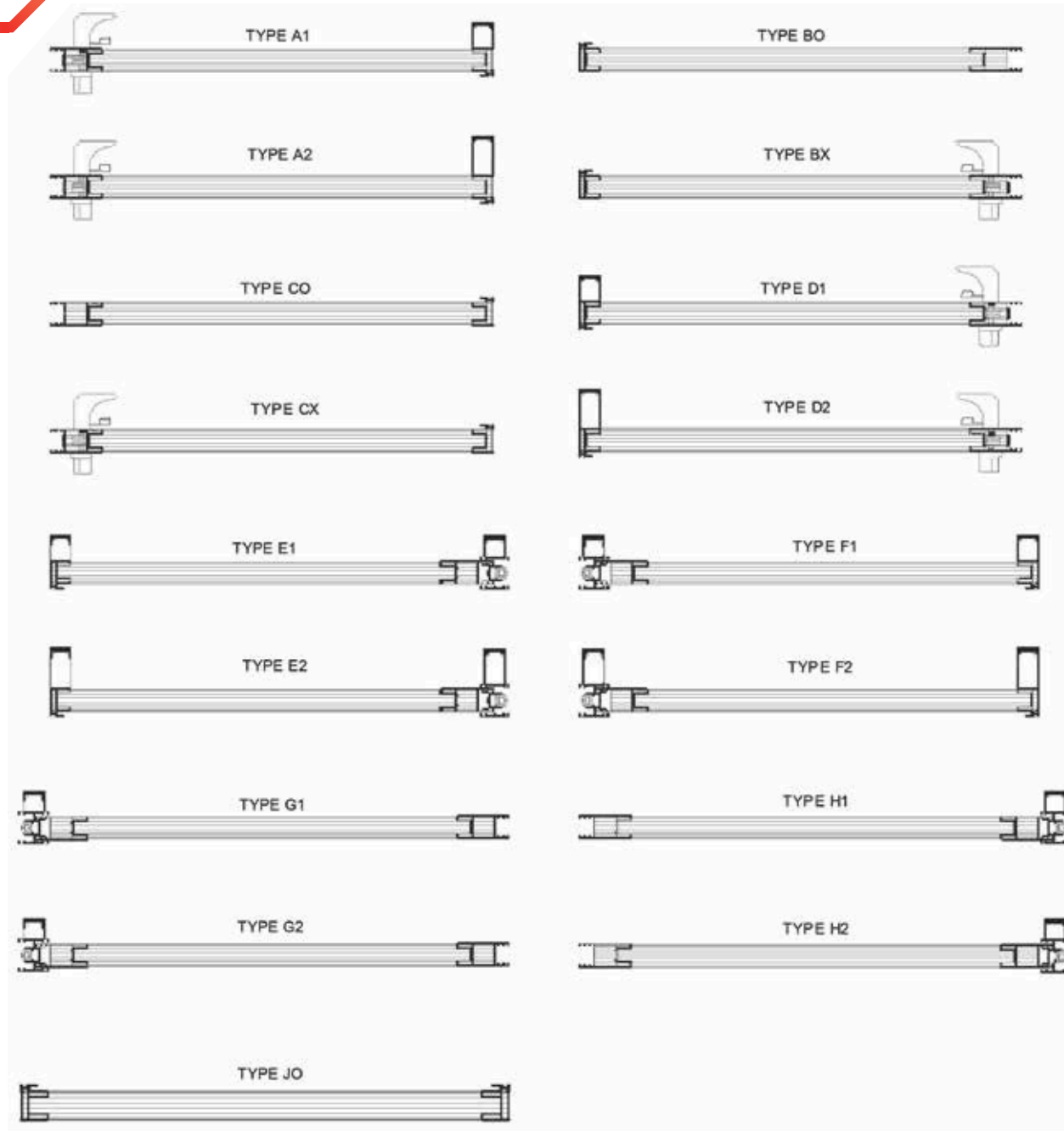
NOTES: XOX configuration in page 42



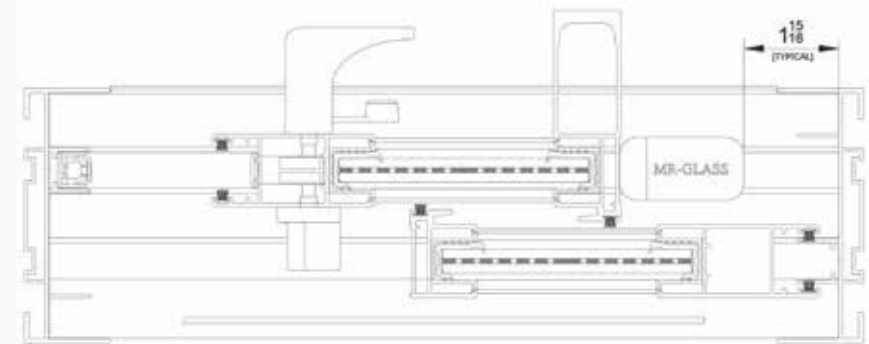
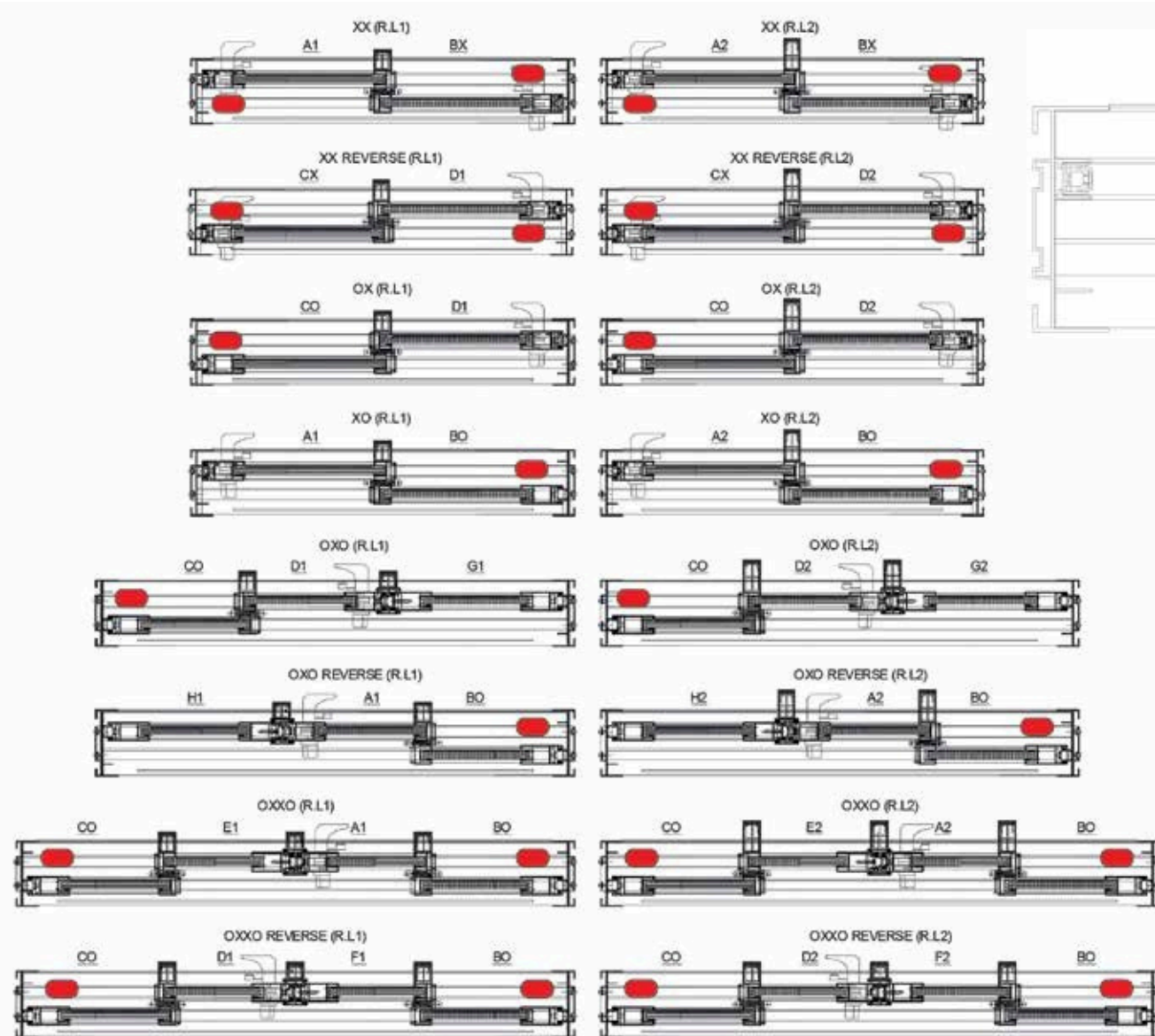
CONFIGURATION TYPES



PANEL TYPES



BUMPERS POSITION PER CONFIGURATION



Notes:

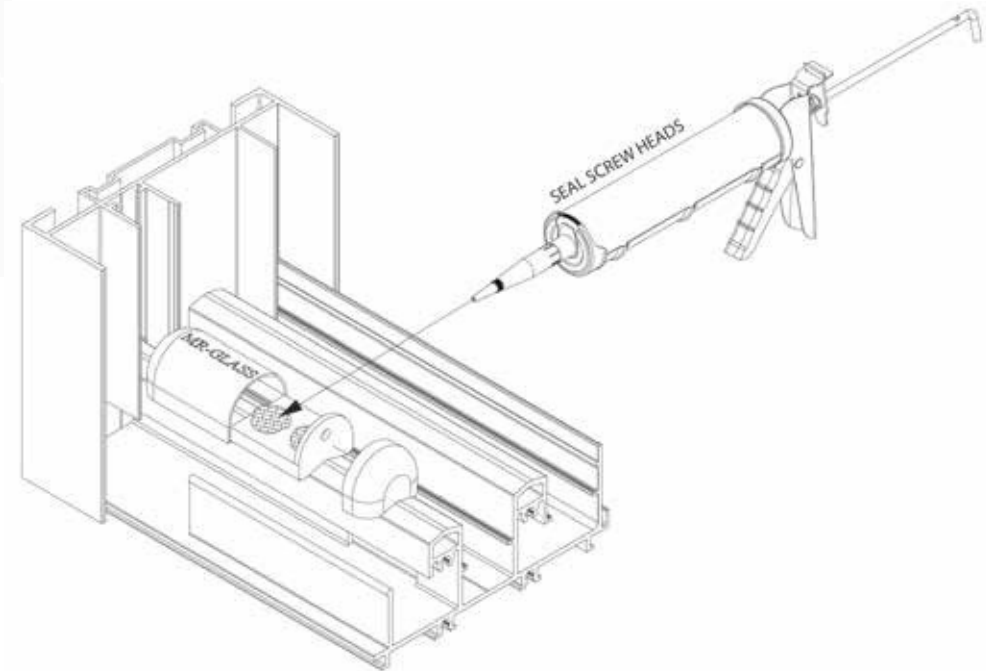
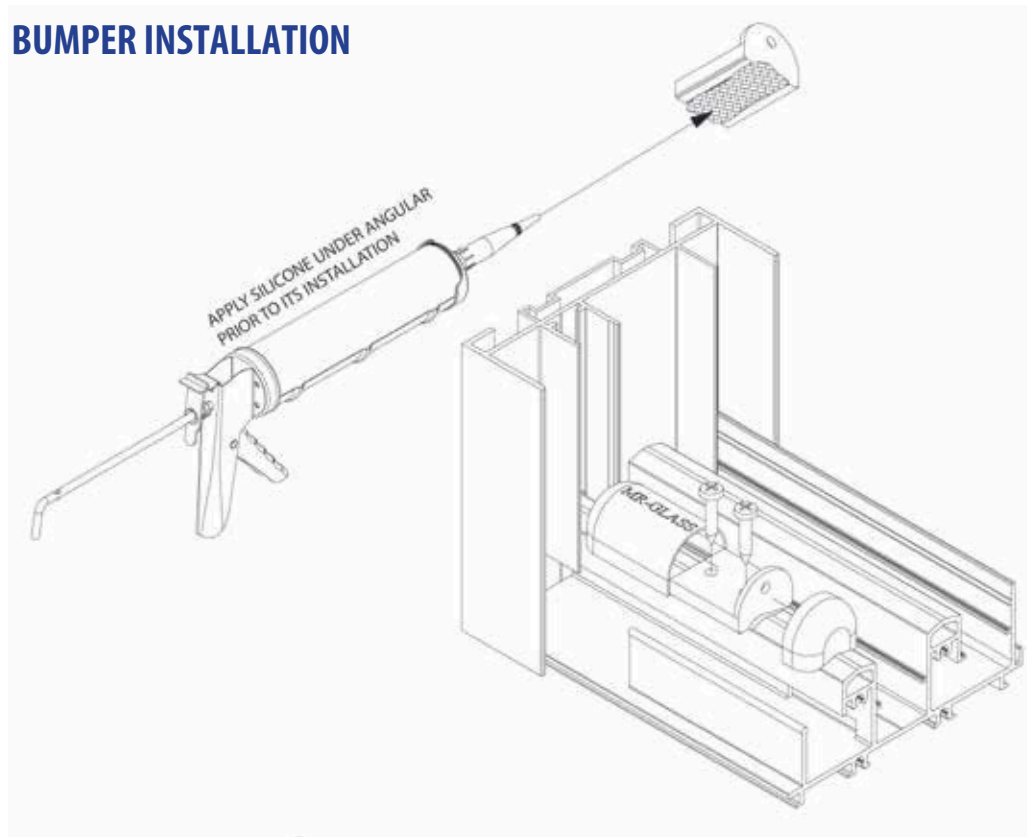
For configuration XX, Bumper only at Head.

In the remaining configurations place Bumper at Sill & Head.

XOX configuration in page 43.

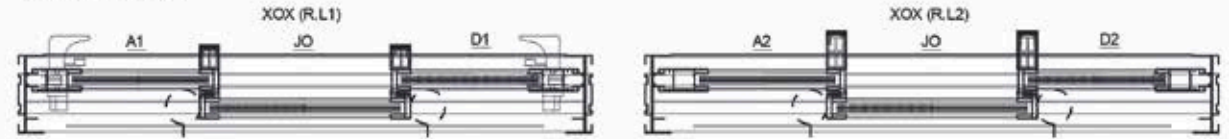


BUMPER INSTALLATION

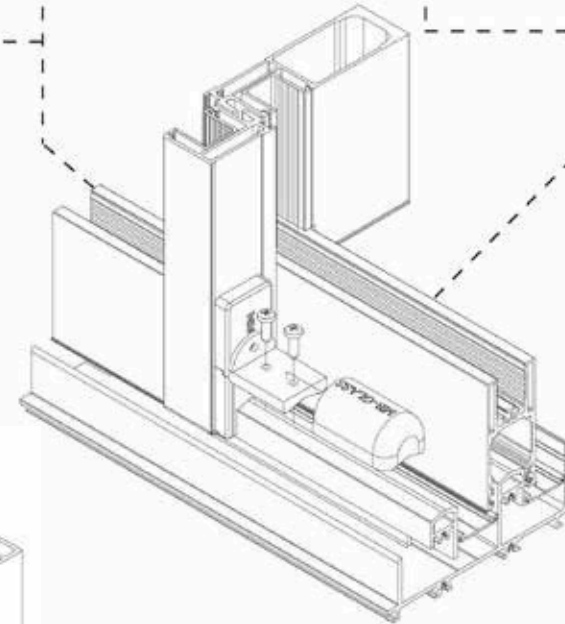
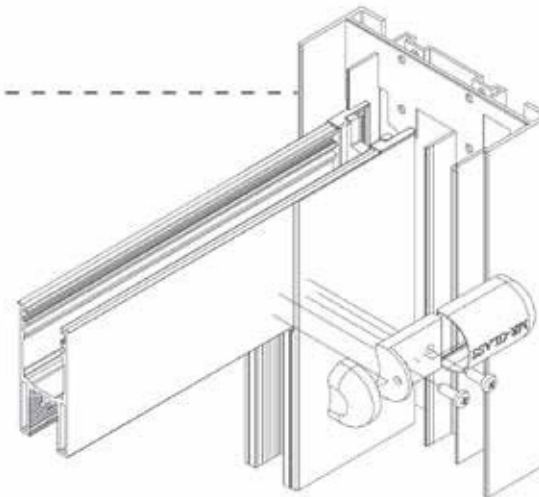
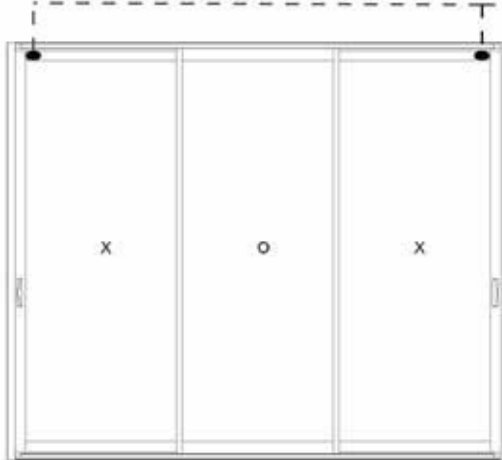


**OXO CONFIGURATION, BUMPERS
AND FIXING ANGLE POSITION**

-FIXING ANGLE



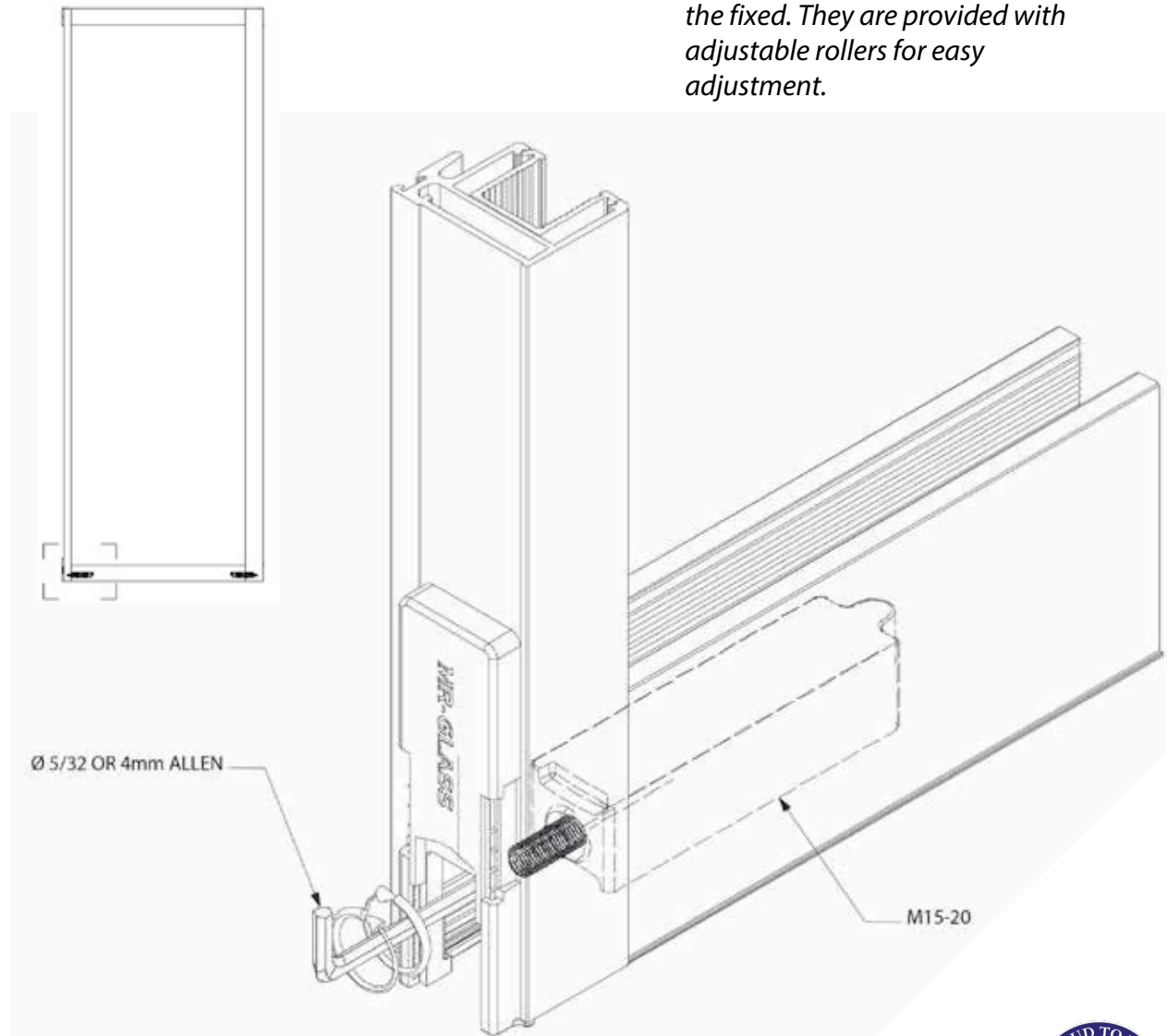
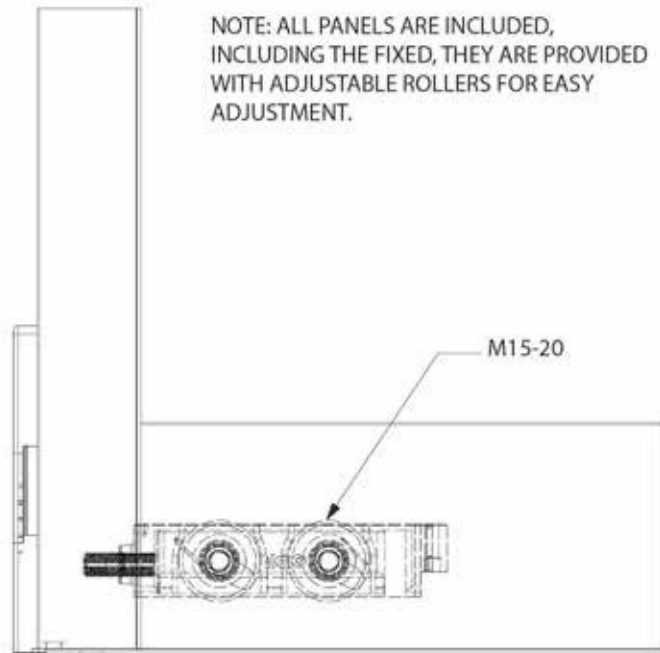
-BUMPER



PANEL ADJUSTMENTS

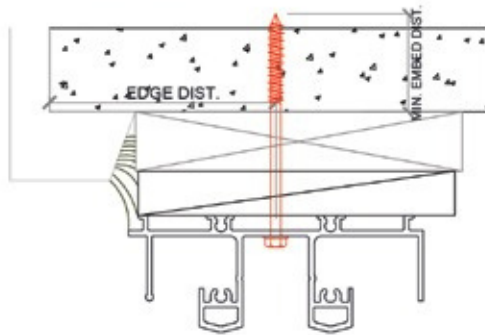
Note:

All panels are included, including the fixed. They are provided with adjustable rollers for easy adjustment.



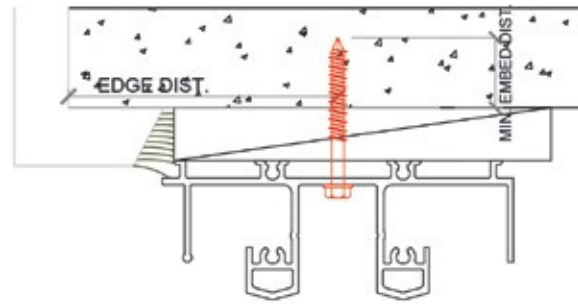
ANCHORS

a. THRU "1 BY" with 1 1/4" min. embed into concrete.



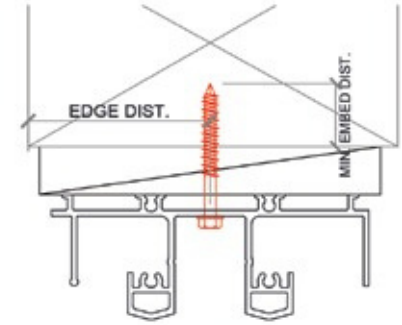
Ultracon
ø5/16 HEX WASHER HEAD (HWH)
3 3/4" Minimum Length (For 3/4" max. shim space)

b. Into concrete



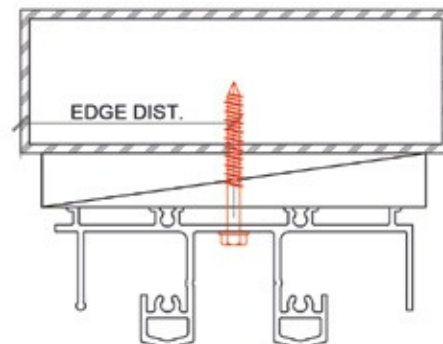
Ultracon
ø5/16 HEX WASHER HEAD (HWH)
2 3/4" Minimum Length (For 3/4" max. shim space)

c. In wood structure "2 BY" with 1 7/8" min. penetration into wood.



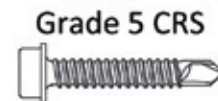
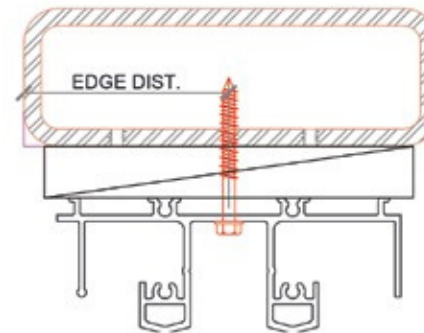
Ultracon
ø5/16 HEX WASHER HEAD (HWH)
3 1/4" Minimum Length (For 3/4" max. shim space)

d. Into Aluminum



Grade 5 CRS
ø5/16 Teks or Self-Drilling
2 1/4" Minimum Length (For 3/4" max. shim space)

e. Into Steel



Grade 5 CRS
ø5/16 Teks or Self-Drilling
2 1/4" Minimum Length (For 3/4" max. shim space)

DOOR CLEANING

- A. Once the installation is complete proceed to clean the window. Mr. Glass recommends using water and mild soap or detergent.
- B. Consult Service Bulletin 01-2021 "Maintenance of coated surfaces" and 02-2021 "Glass Cleaning Recommendations".
- C. Do not use sharp objects that may damage the finish in the aluminum or scratch the glass.
- D. Remove all temporary seals and logos.
- E. Clean the work area and dispose of all the packaging residue.

